

宁波亚爱光电科技有限公司
Ningbo Die-casting Man Technology Co., Ltd

宁海县周华压铸有限公司
Ninghai Zhouhua Die-casting Co., Ltd



Die-casting Man

We are a company never stand still on products and service



Die-casting Man

宁波亚爱光电科技有限公司
Ningbo Die-casting Man Technology Co., Ltd

宁海县周华压铸有限公司
Ninghai Zhouhua Die-casting Co., Ltd

Address: No.225 Tanshu Road, Ninghai, Ningbo, China

Tel: +86 574 83558067 65539858 82538832

Email: vicky@diecastingmanlighting.com

www.diecastingmanlighting.com

www.ledstreetlightfixtures.com

2019-2020
CATALOGUE



About Die Casting Man

Die-Casting man was established in 1996 which is one of the lighting manufacturers with design & development, production & testing. We continue to offer a superior range of production and service including street light, high bay and die casting OEM products. We can offer a full service or simple SKD supply only.

We understand that lighting technology has to be practical, affordable and reliable. So we always design and develop products with our customers' needs in mind. We have a team of lighting designers to design, develop and manufacture our own luminaires.

Also we fully understand high quality is another important element for long term business development. We keep it in mind that products need to meet all EU requirements when we start design process. Our products are tested in credible, recognized laboratories and throughout product development process they go through rigorous performance testing too.

We are a company never stand still on products and service.

We are a company never stand still on products and service



R&D

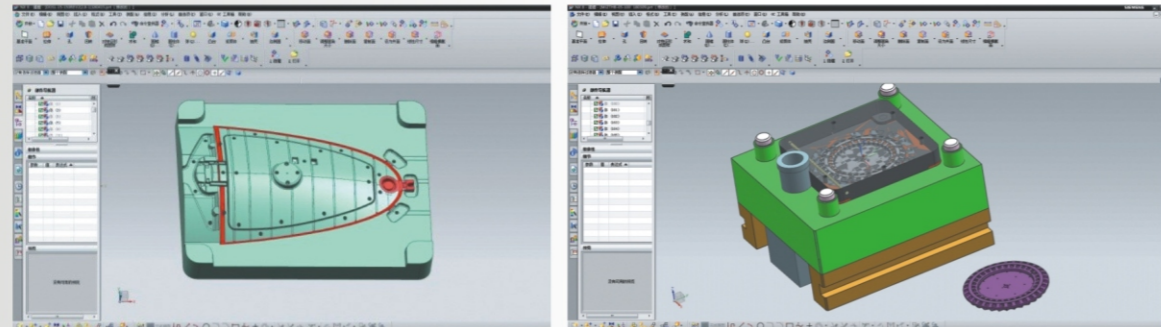
We develop 3-5 new series street lighting every year.
We could design our products according to your idea, sample and drawing.

welcome



Tool Development

We make tool after final design in house which could shorten the lead time and offer a better maintaining service.



CNC and Machining workshop after ejection



Production Process in House

We get 6 die casting ejection machines from 350T to 1250 T.

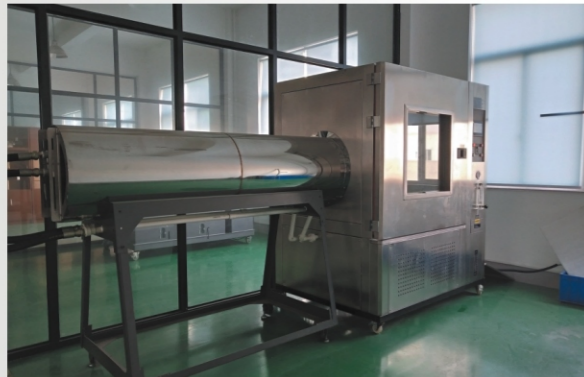


Finish Treatment—sand blasting and powder painting





Testing Laboratory



Warehouse



LED Street Light

YASL-22	P01-P02
YASL-21	P03-P04
YASL-20	P05-P06
YASL-19	P07-P08
YASL-18	P09-P10
YASL-17	P11-P12
YASL-16	P13-P14
YASL-15	P15-P16
YASL-14	P17-P18
YASL-13	P19-P20
YASL-12A	P21-P22
YASL-11	P23-P24
YASL-10	P25-P26
YASL-09	P27-P28
YASL-08	P29-P30
YASL-07	P31-P32
YASL-06	P33-P34
YASL-04	P35-P36
YASL-03	P37-P38
YASL-02	P39

LED Garden Light

YAGD-01	P40
YAUB-04	P41-P42
YAUB-03A	P43
YAUB-03B	P44
YAUB-02	P45-P46
YAUB-01	P47
YASL-12B	P48

LED High Bay

YAHB-06	P49-P50
YAHB-05	P51-P52
YAHB-04	P53-P54
YAHB-02	P55-P56

LED High Mast

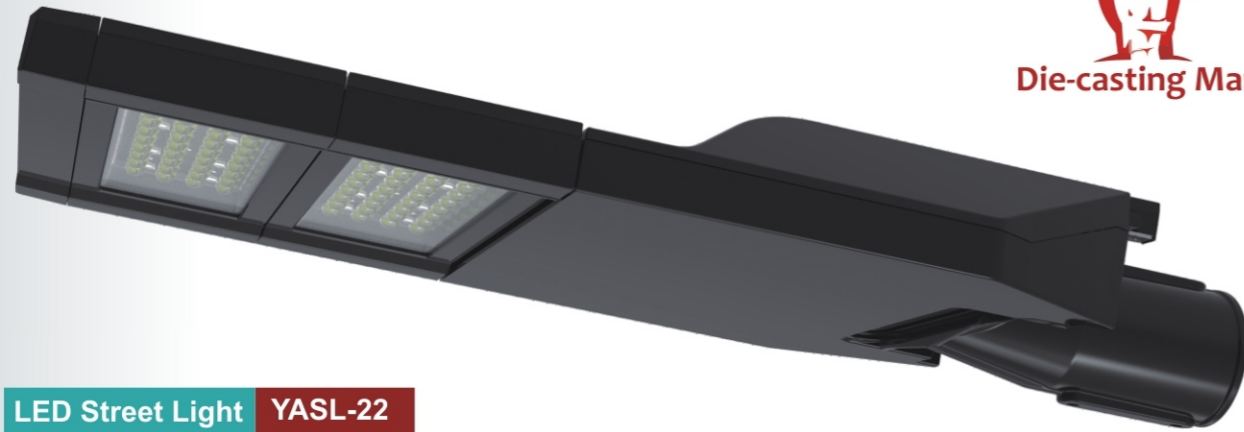
YAHP-01	P57-P58
---------	---------

Adapter

Adapter	P59
---------	-----



Die-casting Man



YASL-22-160

LED Street Light YASL-22

Installing Ways:
Both Horizontal and Vertical available
and adjustable angle -15° to 15°

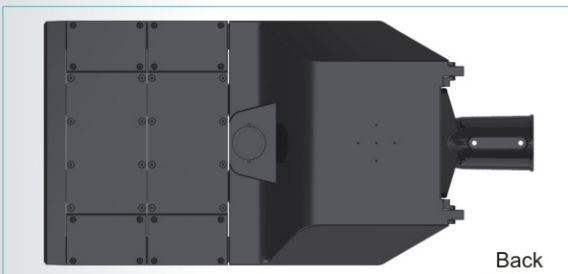
Material:
Die casting Aluminum body and PC lens



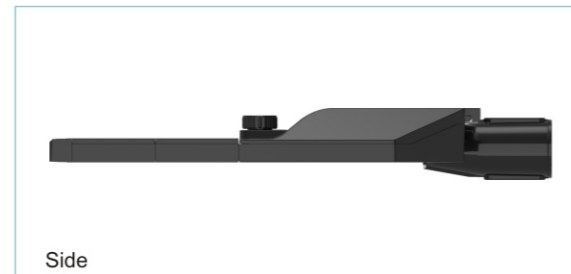
90 degree installation



Front



Back



Side

Product Specification

Product Code	YASL-22-80	YASL-22-160	YASL-22-240	YASL-22-320
Input Wattage	80W	160W	240W	320W
Color Temperature	3000-6500K	3000-6500K	3000-6500K	3000-6500K
Luminous Flux	10400-11600lm	20800-23200lm	31200-34800lm	41600-46400lm
Input Voltage	AC90-305V	AC90-305V	AC90-305V	AC90-305V
Frequency Range	50/60Hz	50/60Hz	50/60Hz	50/60Hz
Power Factor	PF ≥ 0.95	PF ≥ 0.95	PF ≥ 0.95	PF ≥ 0.95
Color Rendering Index	Ra ≥ 70	Ra ≥ 70	Ra ≥ 70	Ra ≥ 70
Temperature of Working Condition	-40-50°C	-40-50°C	-40-50°C	-40-50°C
Humidity of Working Condition	20%-90%RH	20%-90%RH	20%-90%RH	20%-90%RH
LED Lifetime	50000h	50000h	50000h	50000h
Protection Grade	IP66	IP66	IP66	IP66
Installation Pipe Diameter	Φ50-60mm	Φ50-60mm	Φ50-60mm	Φ50-60mm
Installation Height	6-10m	8-12m	8-14m	8-14m
Net Weight	5.8kgs	6.9kgs	8.0kgs	9.1kgs
Gross Weight	6.2kgs	7.3kgs	8.4kgs	9.5kgs
Packing Size(mm)	615×380×170	730×380×170	840×380×170	950×380×170



Die-casting Man



YASL-22-240

LED Street Light YASL-22

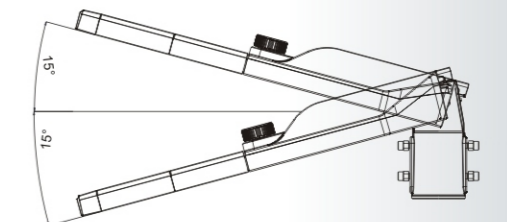
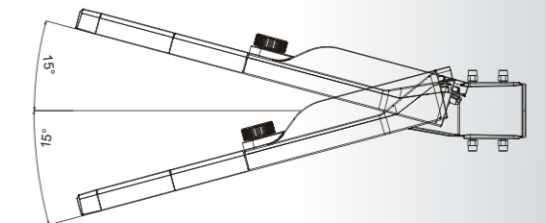
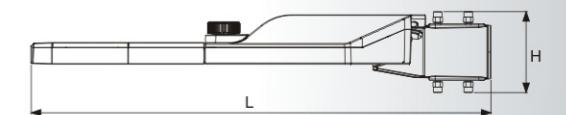
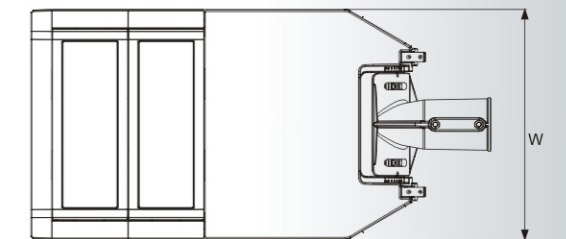
Product Description

This series is a high-performance street lighting available in four sizes. The luminaire is manufactured from high pressure die-casting aluminum. It shall have a led efficiency up to 120 lm/w and will be capable of producing up to 38400 luminaire lumens at 4000K finished in Grey or black as standard.

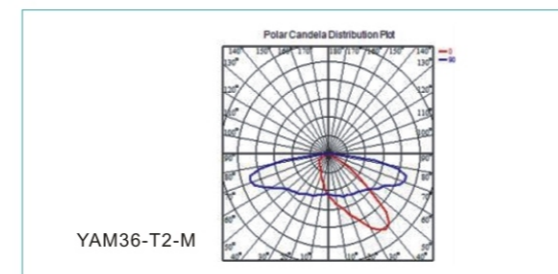
IP66 CE ROHS

Color:

- Double Grey
- Sandy Black
- Matt Silver



Photometric Data



Product Size

Product Code	YASL-22-80	YASL-22-160	YASL-22-240	YASL-22-320
L (mm)	566	678	791	903
W (mm)	340	340	340	340
H (mm)	120	120	120	120

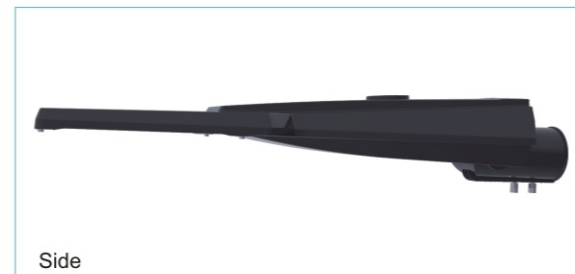
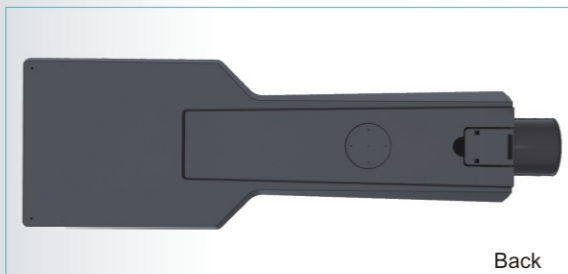


YASL-21A-150

LED Street Light YASL-21

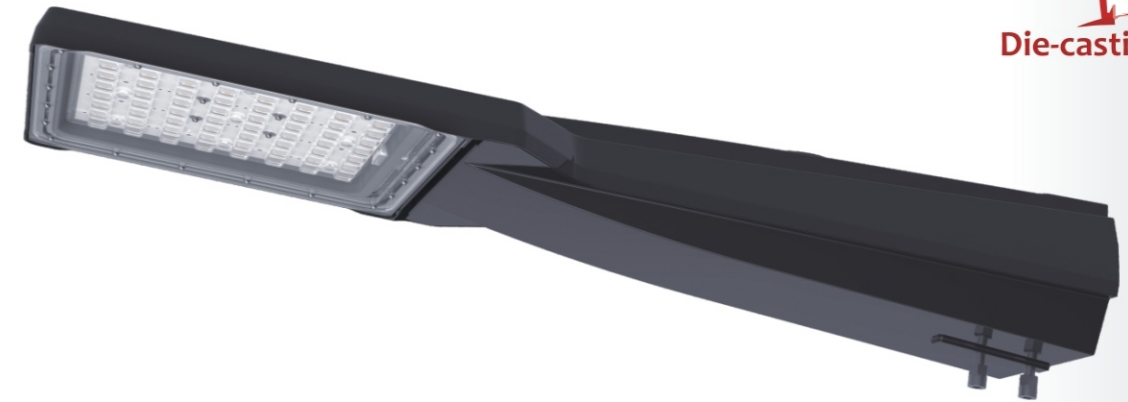
Installing Ways:
Both Horizontal and Vertical available
and adjustable angle -10° to 15°

Material:
Die casting Aluminum body and PC lens



Product Specification

Product Code	YASL-21A-40	YASL-21B-40	YASL-21A-80	YASL-21B-80	YASL-21A-150	YASL-21B-150
Input Wattage	50W	50W	100W	100W	150W	150W
Color Temperature	3000-6500K	3000-6500K	3000-6500K	3000-6500K	3000-6500K	3000-6500K
Luminous Flux	6500-7200lm	6500-7200lm	13000-14500lm	13000-14500lm	19500-21500lm	19500-21500lm
Input Voltage	AC90-305V	AC90-305V	AC90-305V	AC90-305V	AC90-305V	AC90-305V
Frequency Range	50/60Hz	50/60Hz	50/60Hz	50/60Hz	50/60Hz	50/60Hz
Power Factor	PF≥0.95	PF≥0.95	PF≥0.95	PF≥0.95	PF≥0.95	PF≥0.95
Color Rendering Index	Ra≥70	Ra≥70	Ra≥70	Ra≥70	Ra≥70	Ra≥70
Temperature of Working Condition	-40-50°C	-40-50°C	-40-50°C	-40-50°C	-40-50°C	-40-50°C
Humidity of Working Condition	20%-90%RH	20%-90%RH	20%-90%RH	20%-90%RH	20%-90%RH	20%-90%RH
LED Lifetime	50000h	50000h	50000h	50000h	50000h	50000h
Protection Grade	IP66	IP66	IP66	IP66	IP66	IP66
Installation Pipe Diameter	Φ50-60mm	Φ50-60mm	Φ50-60mm	Φ50-60mm	Φ60-76mm	Φ60-76mm
Installation Height	4-8m	4-8m	6-10m	6-10m	8-14m	8-14m
Net Weight	3.65kgs	3.2kgs	6.45kgs	6.0kgs	7.85kgs	7.4kgs
Gross Weight	4.27kgs	3.7kgs	7.2kgs	6.7kgs	9.3kgs	8.8kgs
Packing Size(mm)	615×215×165	615×215×165	770×265×180	770×265×180	885×315×195	885×315×195



YASL-21B-150

LED Street Light YASL-21

Product Description

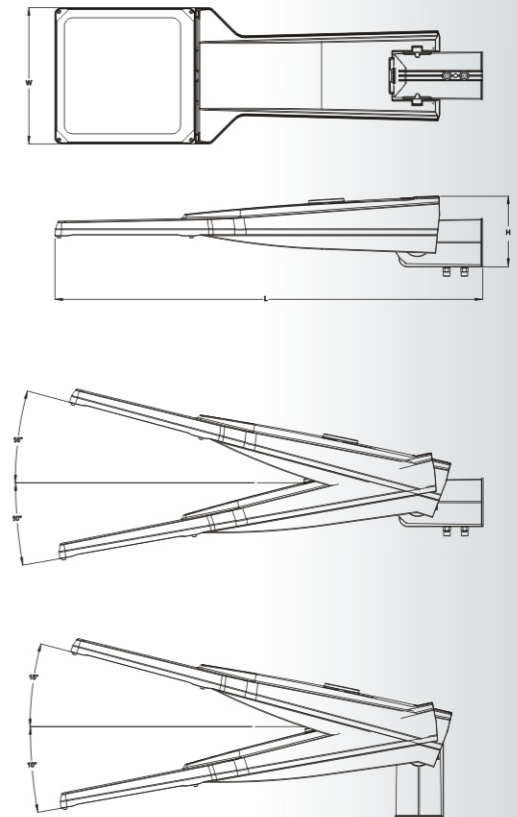
This series is a high-performance street lighting available in three sizes. The luminaire is manufactured from high pressure die-casting aluminum. It shall have a led efficiency up to 120 lm/w and will be capable of producing up to 18000 luminaire lumens at 4000K finished in Grey or black as standard.

IP66 CE ROHS

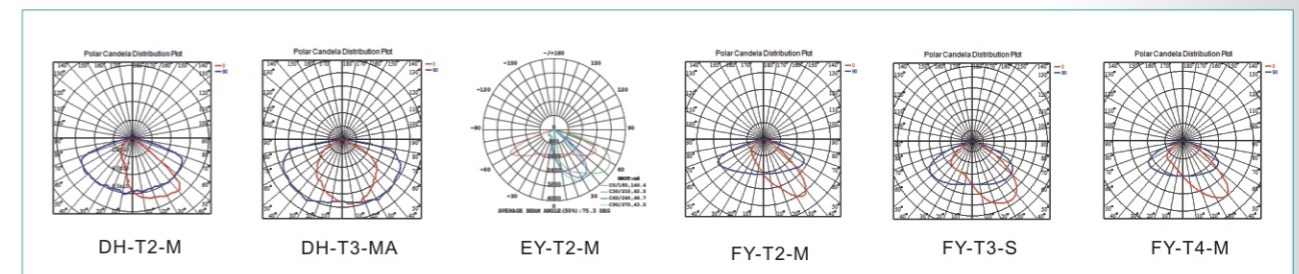


Color:

- Double Grey
- Sandy Black
- Matt Silver



Photometric Data



Product Size

Product Code	YASL-21A-40	YASL-21B-40	YASL-21A-80	YASL-21B-80	YASL-21A-150	YASL-21B-150
L (mm)	564	517	719	652	836	752
W (mm)	165	165	216	216	266	266
H (mm)	125	111	139	126	155	134



Die-casting Man



YASL-20-300

LED Street Light YASL-20

Installing Ways:

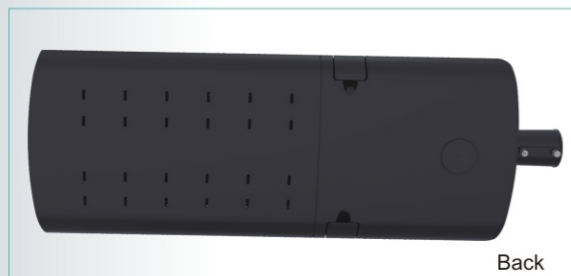
Both Horizontal and Vertical available and adjustable angle -15° to 15°

Material:

Die casting Aluminum body and PC lens



90 degree installation



Back



Front



Side

Product Specification

Product Code	YASL-20-100	YASL-20-150	YASL-20-200	YASL-20-250	YASL-20-300
Input Wattage	100W	150W	200W	250W	300W
Color Temperature	3000-6500K	3000-6500K	3000-6500K	3000-6500K	3000-6500K
Luminous Flux	13000-15000lm	19500-22500lm	26000-30000lm	32500-37500lm	39000-45000lm
Input Voltage	AC90-305V	AC90-305V	AC90-305V	AC90-305V	AC90-305V
Frequency Range	50/60Hz	50/60Hz	50/60Hz	50/60Hz	50/60Hz
Power Factor	PF≥0.95	PF≥0.95	PF≥0.95	PF≥0.95	PF≥0.95
Color Rendering Index	Ra≥70	Ra≥70	Ra≥70	Ra≥70	Ra≥70
Temperature of Working Condition	-40-50°C	-40-50°C	-40-50°C	-40-50°C	-40-50°C
Humidity of Working Condition	20%-90%RH	20%-90%RH	20%-90%RH	20%-90%RH	20%-90%RH
LED Lifetime	5000h	5000h	5000h	5000h	5000h
Protection Grade	IP66	IP66	IP66	IP66	IP66
Installation Pipe Diameter	Φ60mm	Φ60mm	Φ60mm	Φ60mm	Φ60mm
Installation Height	6-10m	8-12m	8-12m	8-12m	8-12m
Net Weight	5.5kgs	5.8kgs	6.2kgs	6.5kgs	6.9kgs
Gross Weight	6.5kgs	6.8kgs	7.2kgs	7.5kgs	7.9kgs
Packing Size(mm)	780×410×175	860×410×175	940×410×175	1020×410×175	1100×410×175



YASL-20-300



Die-casting Man

LED Street Light YASL-20

Product Description

This series is a high-performance street lighting available in five sizes. The luminaire is manufactured from high pressure die-casting aluminum. It shall have a led efficiency up to 120 lm/w and will be capable of producing up to 36000 luminaire lumens at 4000K finished in Grey or black as standard.

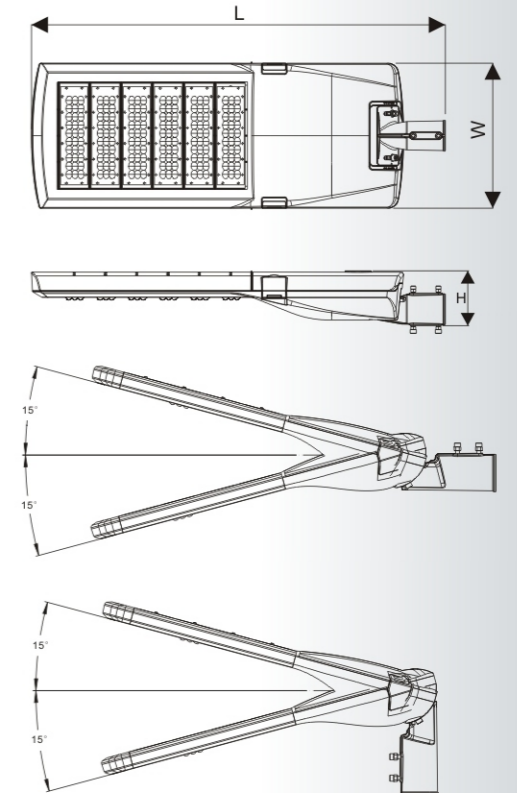
IP66 CE ROHS

Color:

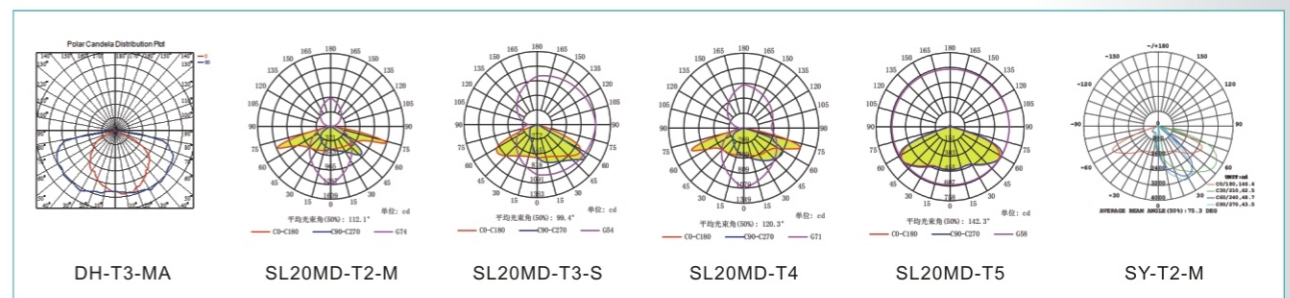
Double Grey

Sandy Black

Matt Silver



Photometric Data



Product Size

Product Code	YASL-20-100	YASL-20-150	YASL-20-200	YASL-20-250	YASL-20-300
L (mm)	738	818	898	978	1058
W (mm)	371	371	371	371	371
H (mm)	158	158	158	158	158



YASL-19-150

LED Street Light YASL-19

Installing Ways:
Both Horizontal and Vertical available and adjustable angle -15° to 15°

Material:
Die casting Aluminum body
Ultra clear tempered glass and PC lens



90 degree installation



Front



Back



Side

Product Specification

Product Code	YASL-19-30	YASL-19-50	YASL-19-80	YASL-19-150
Input Wattage	30W	50W	80W	150W
Color Temperature	3000-6500K	3000-6500K	3000-6500K	3000-6500K
Luminous Flux	3300-3750 lm	5500-6250 lm	9200-10400 lm	17250-19500 lm
Input Voltage	AC90-305V	AC90-305V	AC90-305V	AC90-305V
Frequency Range	50/60Hz	50/60Hz	50/60Hz	50/60Hz
Power Factor	PF≥0.95	PF≥0.95	PF≥0.95	PF≥0.95
Color rendering index	Ra≥70	Ra≥70	Ra≥70	Ra≥70
Temperature of Working Condition	-40-50°C	-40-50°C	-40-50°C	-40-50°C
Humidity of Working Condition	20%-90%RH	20%-90%RH	20%-90%RH	20%-90%RH
LED Lifetime	50000h	50000h	50000h	50000h
Protection Grade	IP66	IP66	IP66	IP66
Installation Pipe Diameter	Φ60mm	Φ60mm	Φ60mm	Φ60mm
Installation Height	4-6m	4-6m	6-10m	8-12m
Net Weight	3.0kgs	3.95kgs	4.76kgs	6.5kgs
Gross Weight	3.5kgs	4.55kgs	5.4kgs	7.3kgs
Packing Size(mm)	510×236×150	630×280×160	670×310×155	810×340×155



YASL-19-50

LED Street Light YASL-19

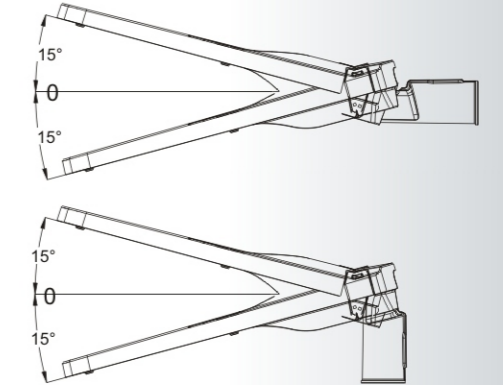
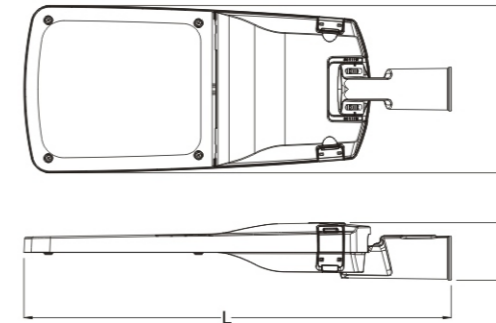
Product Description

This series is a high-performance street lighting available in four sizes. The luminaire is manufactured from high pressure die-casting aluminum. It shall have a led efficiency up to 120 lm/w and will be capable of producing up to 18000 luminaire lumens at 4000K finished in Grey or black as standard.

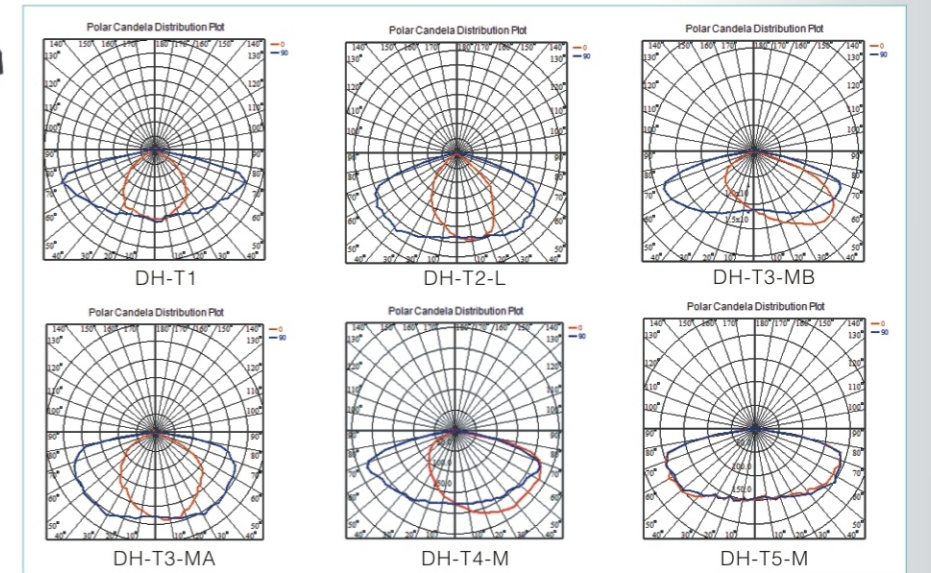
IP66 CE ROHS

Color:

- Double Grey
- Sandy Black
- Matt Silver



Photometric Data



Product Size

Product Code	YASL-19-30	YASL-19-50	YASL-19-80	YASL-19-150
L (mm)	459	577	627	768
W (mm)	186	233	271	301
H (mm)	119	103	103	104



YASL-18-150

LED Street Light YASL-18

Installing Ways:
Both Horizontal and Vertical available
and adjustable angle -10° to 10°

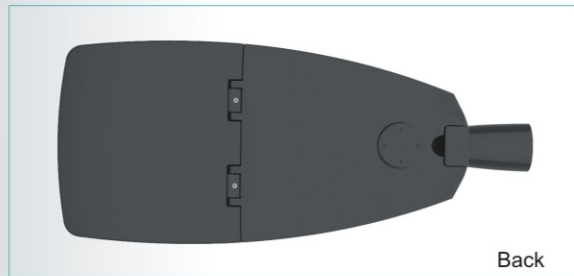
Material:
Die casting Aluminum body
Ultra clear tempered glass and PC lens



90 degree installation



Front



Back



Side

Product Specification

Product Code	YASL-18-30	YASL-18-80	YASL-18-150
Input Wattage	30W	80W	150W
Color Temperature	3000-6500K	3000-6500K	3000-6500K
Luminous Flux	3300-3750 lm	9200-10400 lm	16500-19500 lm
Input Voltage	AC90-305V	AC90-305V	AC90-305V
Frequency Range	50/60Hz	50/60Hz	50/60Hz
Power Factor	PF≥0.95	PF≥0.95	PF≥0.95
Color rendering index	Ra≥70	Ra≥70	Ra≥70
Temperature of Working Condition	-40-50°C	-40-50°C	-40-50°C
Humidity of Working Condition	20%-90%RH	20%-90%RH	20%-90%RH
LED Lifetime	50000h	50000h	50000h
Protection Grade	IP66	IP66	IP66
Installation Pipe Diameter	Φ60mm	Φ60mm	Φ60mm
Installation Height	4-6m	6-10m	10-12m
Net Weight	3.0kgs	6.0kgs	7.4kgs
Gross Weight	3.5kgs	6.5kgs	8.0kgs
Packing Size(mm)	545×270×220	720×320×210	820×340×210



YASL-18-80

LED Street Light YASL-18

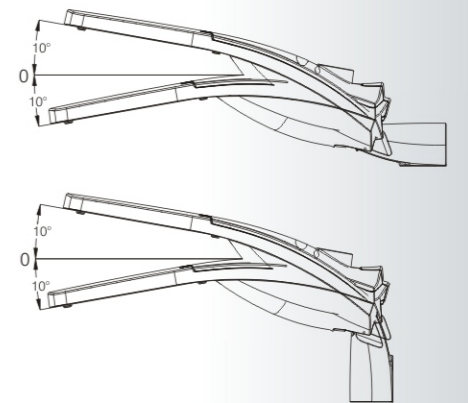
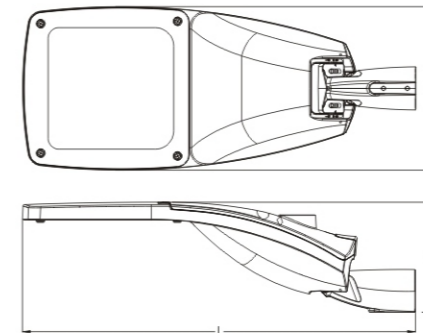
Product Description

This series is a high-performance street lighting available in three sizes. The luminaire is manufactured from high pressure die-casting aluminum. It shall have a led efficiency up to 120 lm/w and will be capable of producing up to 18000 luminaire lumens at 4000K finished in Grey or black as standard.

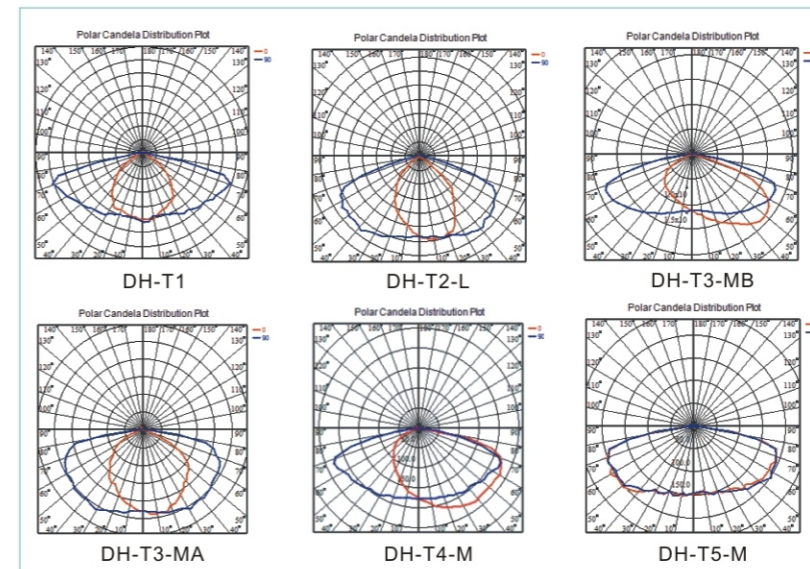
IP66 CE ROHS

Color:

- Double Grey
- Sandy Black
- Matt Silver



Photometric Data



Product Size

Product Code	YASL-18-30	YASL-18-80	YASL-18-150
L (mm)	495	644	740
W (mm)	220	269	308
H (mm)	190	203	207



YASL-17-200

LED Street Light YASL-17

Installing Ways:
Both Horizontal and Vertical available
and adjustable angle -20° to 20°

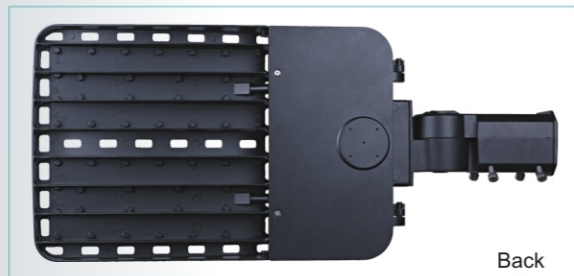
Material:
Die casting Aluminum body and PC lens



90 degree installation



Front



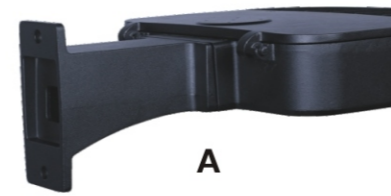
Back



Side

Product Specification

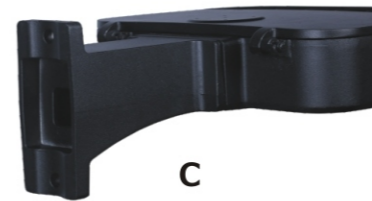
Product Code	17A-150	17B-150	17C-150	17D-150	17A-300	17B-300	17C-300	17D-300
Input Wattage	150W				300W			
Color Temperature	3000-6500K				3000-6500K			
Luminous Flux	18000-21000 lm				39000-45000 lm			
Input Voltage	AC90-305V				AC90-305V			
Frequency Range	50/60Hz				50/60Hz			
Power Factor	PF≥0.95				PF≥0.95			
Color rendering index	Ra≥70				Ra≥70			
Temperature of Working Condition	-40-50°C				-40-50°C			
Humidity of Working Condition	20%-90%RH				20%-90%RH			
LED Lifetime	50000h				50000h			
Protection Grade	IP66				IP66			
Installation Size	Reference figure A	φ 60mm	Reference figure C	Reference figure D	Reference figure A	φ 60mm	Reference figure C	Reference figure D
Installation Height	8-12m				10-14m			
Net Weight	5.8kgs	6.3kgs	5.8kgs	6.3kgs	8.4kgs	8.9kgs	8.4kgs	8.9kgs
Gross Weight	6.5kgs	7.0kgs	6.5kgs	7.0kgs	9.0kgs	9.5kgs	9.0kgs	9.5kgs
Packing Size(mm)	530×350×130				630×400×130			



A



B



C



D

LED Street Light YASL-17

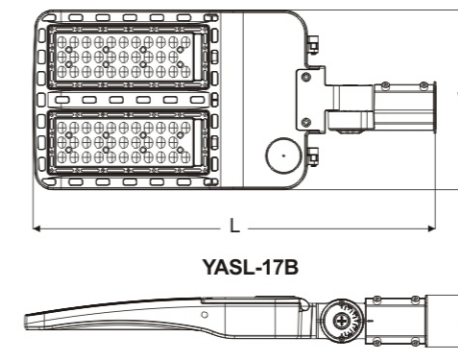
Product Description

This series is a high-performance street lighting available in two sizes. The luminaire is manufactured from high pressure die-casting aluminum. It shall have a led efficiency up to 120 lm/w and will be capable of producing up to 45000 luminaire lumens at 4000K finished in Grey or black as standard.

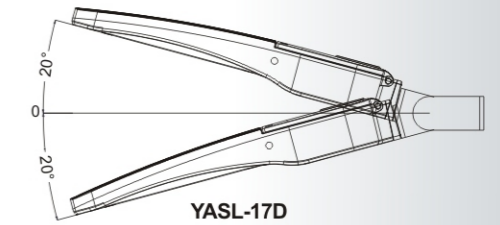
IP66 CE ROHS

Color:

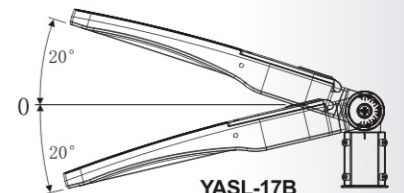
- Double Grey
- Sandy Black
- Matt Silver



YASL-17B

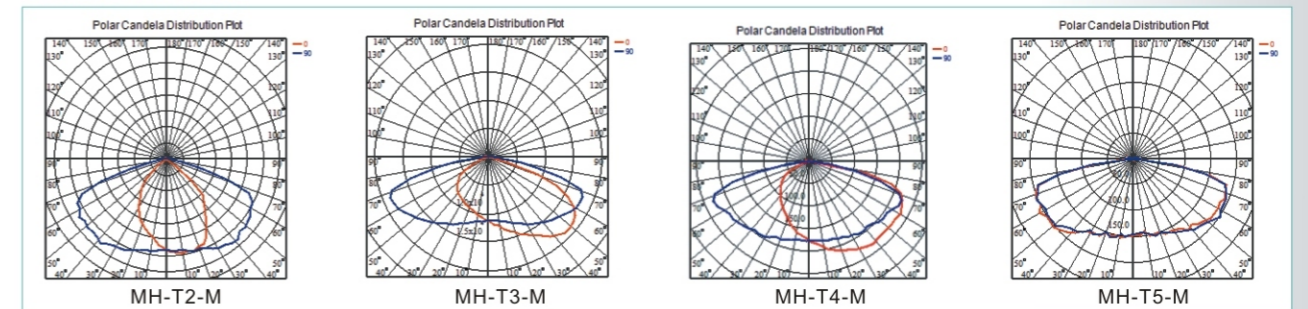


YASL-17D



YASL-17B

Photometric Data



Product Size

Product Code	17A-150	17B-150	17C-150	17D-150	17A-300	17B-300	17C-300	17D-300
L (mm)	625	683	631	627	725	783	731	727
W (mm)	305	305	305	305	355	355	355	355
H (mm)	140	88	140	72	140	88	140	72

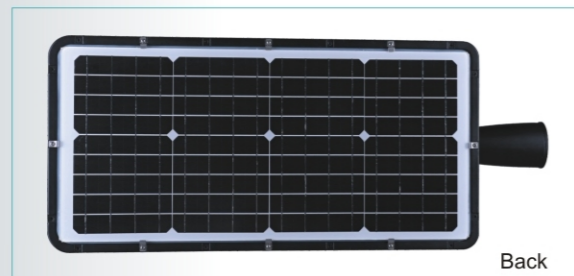
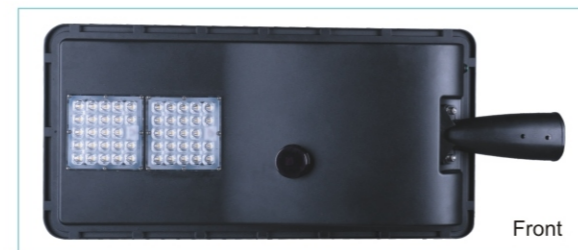


SOLAR LES Street Light YASL-16

Installing Ways:
Both Horizontal and Vertical available
and adjustable angle -15° to 15°

Material:
Die casting Aluminum body
Ultra clear tempered glass and PC lens

YASL-16-20



Product Specification

Product Code	YASL-16-10	YASL-16-20
Nominal power	10-20W	25-40W
LED Quantity(LUXEON 3030 2D)	48-96 pcs	96-192 pcs
Color Temperature	3000-6500K	3000-6500K
Color rendering index	Ra≥70	Ra≥70
Total Flux	1800-3600 lm	4200-7200 lm
Operating time (Intelligent mode)	4-5Days	4-5Days
Induction distance (Microwave induction)	12m	8-12m
Mono-Crystalline Silicon solar panel	16-21W	33W
Lithium-ion Li FePO4 batteries	12.8V,6-12AH	12.8V,16AH
Temperature of Working Condition	-10-60°C	-10-60°C
Humidity of Working Condition	10%-90%RH	10%-90%RH
Controller	3 years	3 years
Protection Grade	IP66	IP66
Installation Pipe Diameter	Φ60mm	Φ60mm
Installation Height	4-6m	5-7m
Net Weight	5.5kgs	7.5kgs
Gross Weight	6.0kgs	8.0kgs
Packing Size(mm)	700×350×160	905×415×190



SOLAR LES Street Light YASL-16

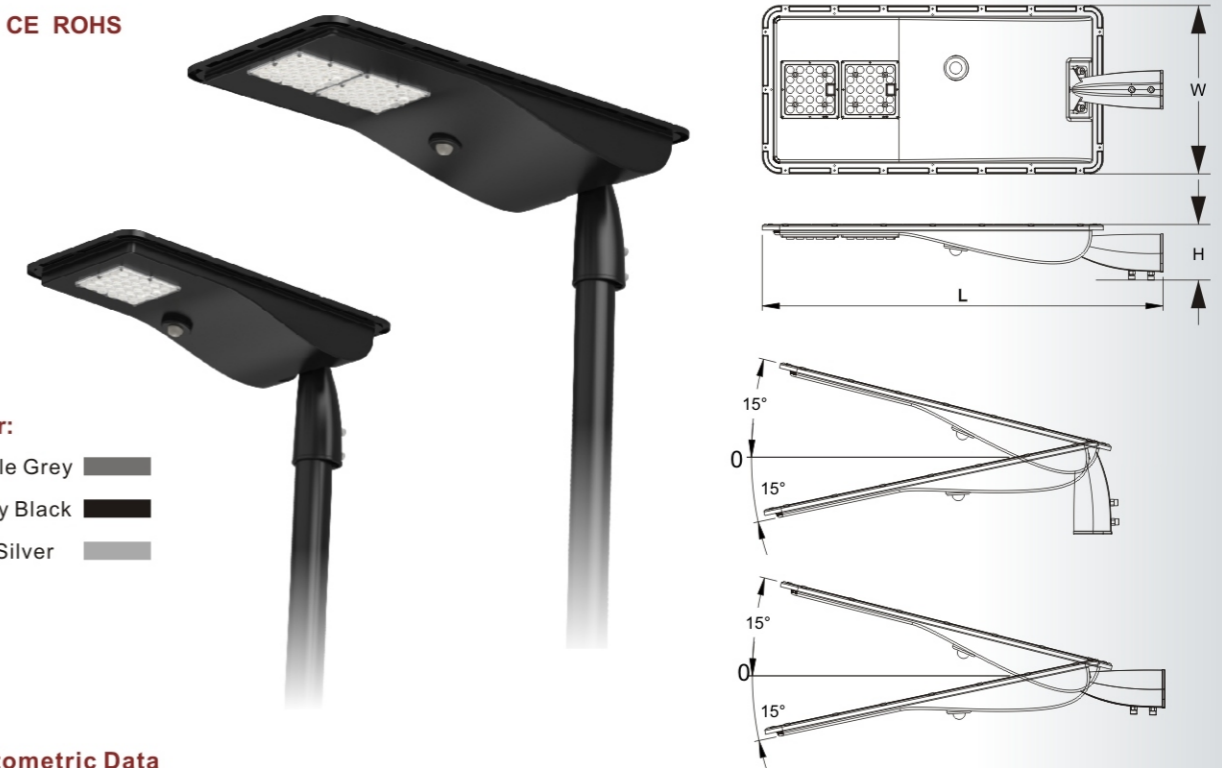
Product Description

This series is a high-performance street lighting available in two sizes. The luminaire is manufactured from high pressure die-casting aluminum. It shall have a led efficiency up to 120 lm/w and will be capable of producing up to 6000 luminaire lumens at 4000K finished in Grey or black as standard.

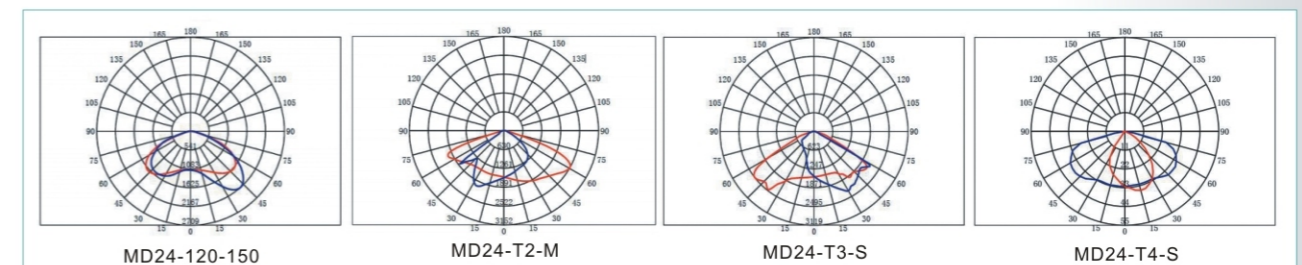
IP66 CE ROHS

Color:

- Double Grey
- Sandy Black
- Matt Silver



Photometric Data



Product Size

Product Code	YASL-16-10	YASL-16-20
L (mm)	666	832
W (mm)	289	345
H (mm)	104	115

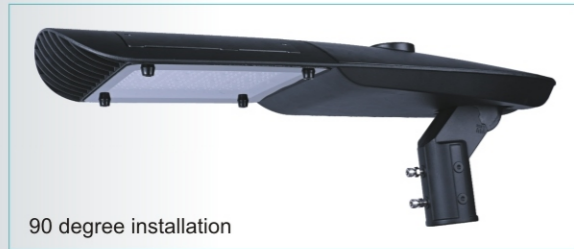


YASL-15-150

LED Street Light YASL-15

Installing Ways:
Both Horizontal and Vertical available
and adjustable angle -5 ° to 15 °

Material:
Die casting Aluminum body
Ultra clear tempered glass and PC lens



90 degree installation



Back



Front



Side

Product Specification

Product Code	YASL-15-40	YASL-15-80	YASL-15-150
Input Wattage	40W	80W	150W
Color Temperature	3000-6500K	3000-6500K	3000-6500K
Luminous Flux	4400-5000 lm	8800-10000 lm	15750-18750 lm
Input Voltage	AC90-305V	AC90-305V	AC90-305V
Frequency Range	50/60Hz	50/60Hz	50/60Hz
Power Factor	PF≥0.95	PF≥0.95	PF≥0.95
color rendering index	Ra≥70	Ra≥70	Ra≥70
Temperature of Working Condition	-40-50°C	-40-50°C	-40-50°C
Humidity of Working Condition	20%-90%RH	20%-90%RH	20%-90%RH
LED Lifetime	50000h	50000h	50000h
Protection Grade	IP66	IP66	IP66
Installation Pipe Diameter	Φ60mm	Φ60mm	Φ60mm
Installation Height	4-7m	6-10m	8-12m
Net Weight	3.5kgs	5.0kgs	8.5kgs
Gross Weight	4.0kgs	5.5kgs	9.5kgs
Packing Size(mm)	600×240×150	710×330×130	875×370×130



YASL-15-40

YASL-15-150

LED Street Light YASL-15

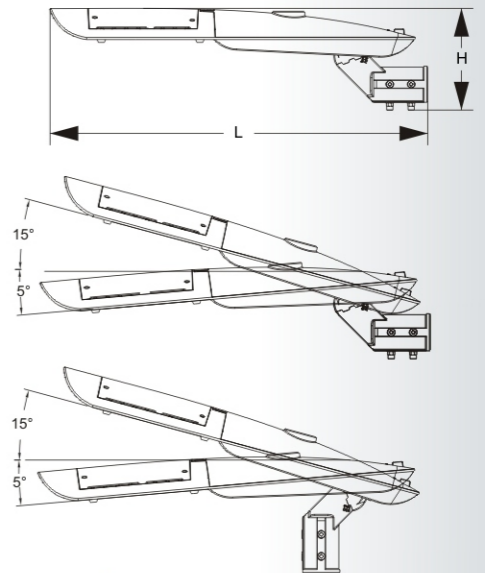
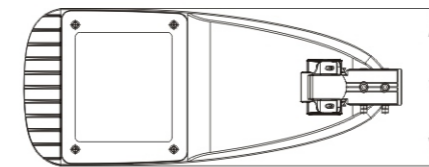
Product Description

This series is a high-performance street lighting available in three sizes. The luminaire is manufactured from high pressure die-casting aluminum. It shall have a led efficiency up to 120 lm/w and will be capable of producing up to 18000 luminaire lumens at 4000K finished in Grey or black as standard.

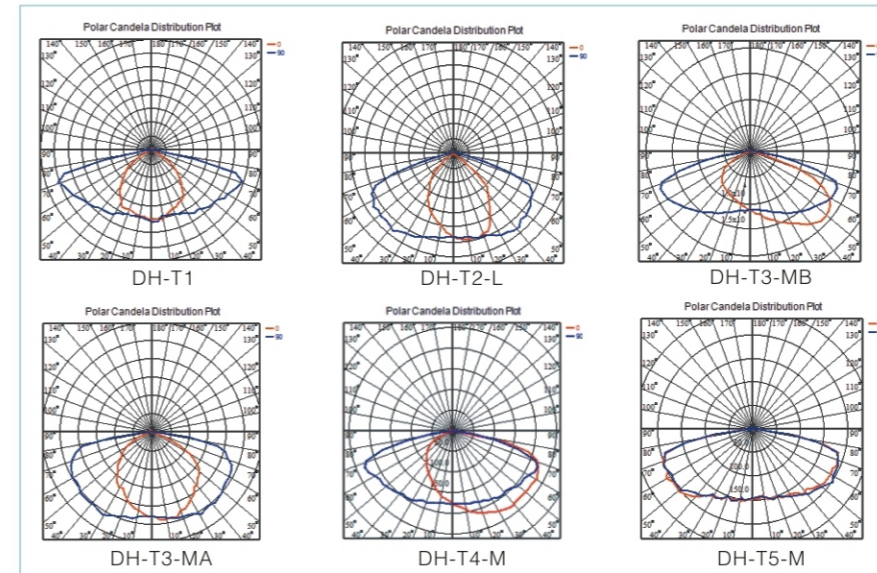
IP66 CE ROHS

Color:

- Double Grey
- Sandy Black
- Matt Silver



Photometric Data



Product Size

Product Code	YASL-15-40	YASL-15-80	YASL-15-150
L (mm)	563	622	795
W (mm)	196	292	331
H (mm)	193	214	214



YASL-14-120

LED Street Light YASL-14

Installing Ways:
Both Horizontal and Vertical available
and adjustable angle -15° to 15°

Material:
Die casting Aluminum body
Ultra clear tempered glass and PC lens



90 degree installation



Front



Back



Side

Product Specification

Product Code	YASL-14-40	YASL-14-80	YASL-14-120
Input Wattage	40W	80W	150W
Color Temperature	3000-6500K	3000-6500K	3000-6500K
Luminous Flux	4400-5000 lm	9200-10400 lm	16500-18750 lm
Input Voltage	AC90-305V	AC90-305V	AC90-305V
Frequency Range	50/60Hz	50/60Hz	50/60Hz
Power Factor	PF≥0.95	PF≥0.95	PF≥0.95
color rendering index	Ra≥70	Ra≥70	Ra≥70
Temperature of Working Condition	-40-50°C	-40-50°C	-40-50°C
Humidity of Working Condition	20%-90%RH	20%-90%RH	20%-90%RH
LED Lifetime	50000h	50000h	50000h
Protection Grade	IP66	IP66	IP66
Installation Pipe Diameter	Φ60mm	Φ60mm	Φ70mm
Installation Height	4-7m	6-10m	8-12m
Net Weight	4.6kgs	6.0kgs	9.8kgs
Gross Weight	5.0kgs	6.5kgs	10.6kgs
Packing Size(mm)	670×315×190	780×350×185	965×420×195



YASL-14-80

LED Street Light YASL-14

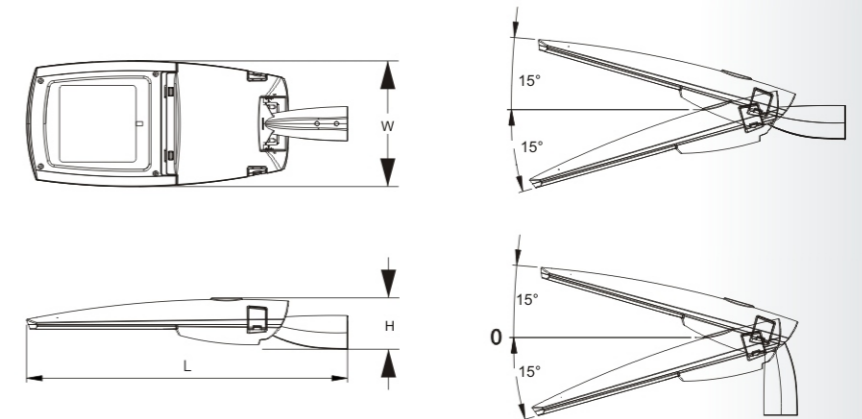
Product Description

This series is a high-performance street lighting available in three sizes. The luminaire is manufactured from high pressure die-casting aluminum. It shall have a led efficiency up to 120 lm/w and will be capable of producing up to 18000 luminaire lumens at 4000K finished in Grey or black as standard.

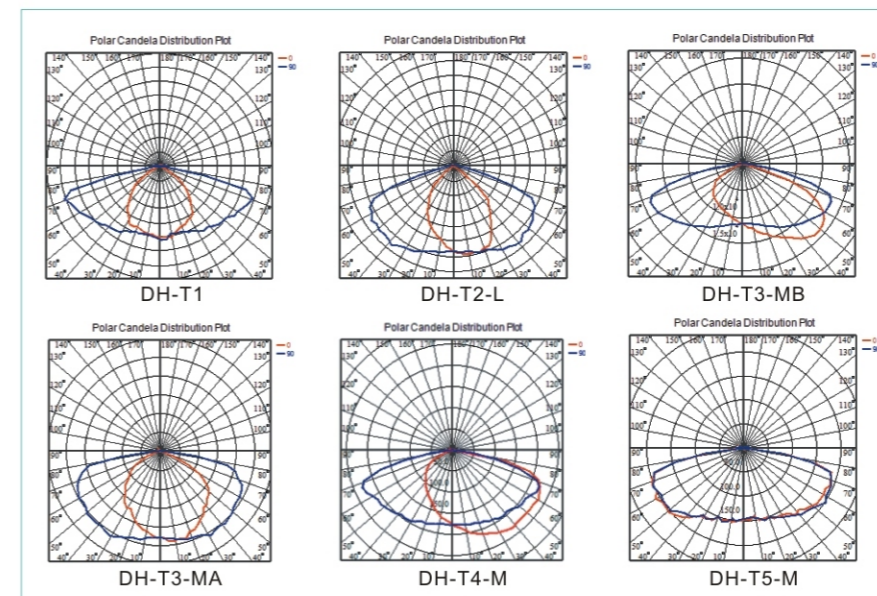
IP66 CE ROHS

Color:

- Double Grey
- Sandy Black
- Matt Silver



Photometric Data



Product Size

Product Code	YASL-14-40	YASL-14-80	YASL-14-120
L (mm)	620	738	922
W (mm)	287	289	362
H (mm)	118	118	140



LED Street Light YASL-13

Installing Ways:
Both Horizontal and Vertical available
and adjustable angle -15 °to 15 °

Material:
Die casting body,
Ultra clear tempered glass and PC lens

YASL-13-100



90 degree installation



Front



Back



Side

Product Specification

Product Code	YASL-13-50	YASL-13-100	YASL-13-150
Input Wattage	50W	100W	150W
Color Temperature	3000-6500K	3000-6500K	3000-6500K
Luminous Flux	5750-6250lm	11500-12500 lm	16500-18750 lm
Input Voltage	AC90-305V	AC90-305V	AC90-305V
Frequency Range	50/60Hz	50/60Hz	50/60Hz
Power Factor	PF≥0.95	PF≥0.95	PF≥0.95
color rendering index	Ra≥70	Ra≥70	Ra≥70
Temperature of Working Condition	-40-50°C	-40-50°C	-40-50°C
Humidity of Working Condition	20%-90%RH	20%-90%RH	20%-90%RH
LED Lifetime	50000h	50000h	50000h
Protection Grade	IP66	IP66	IP66
Installation Pipe Diameter	Φ60mm	Φ60mm	Φ70mm
Installation Height	4-8m	6-10m	8-12m
Net Weight	3.9kgs	5.4kgs	9.8kgs
Gross Weight	4.6kgs	6.5kgs	11.5kgs
Packing Size(mm)	695×285×130	790×340×135	970×415×180



LED Street Light YASL-13

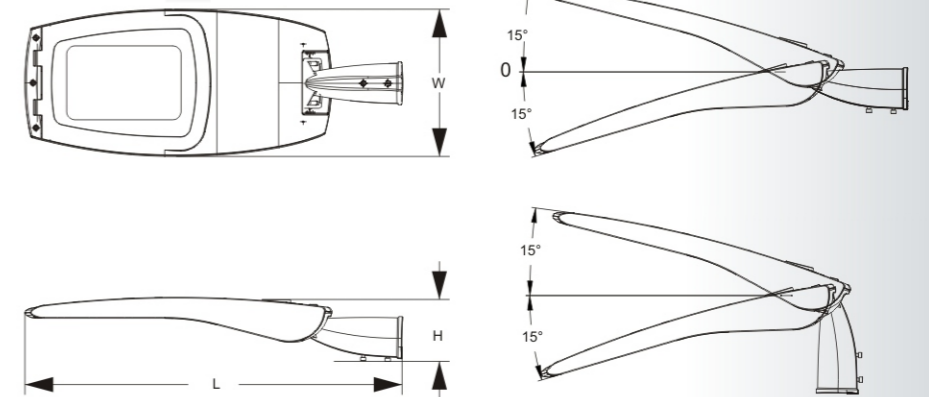
Product Description

This series is a high-performance street lighting available in three sizes. The luminaire is manufactured from high pressure die-casting aluminum. It shall have a led efficiency up to 120 lm/w and will be capable of producing up to 18000 luminaire lumens at 4000K finished in Grey or black as standard.

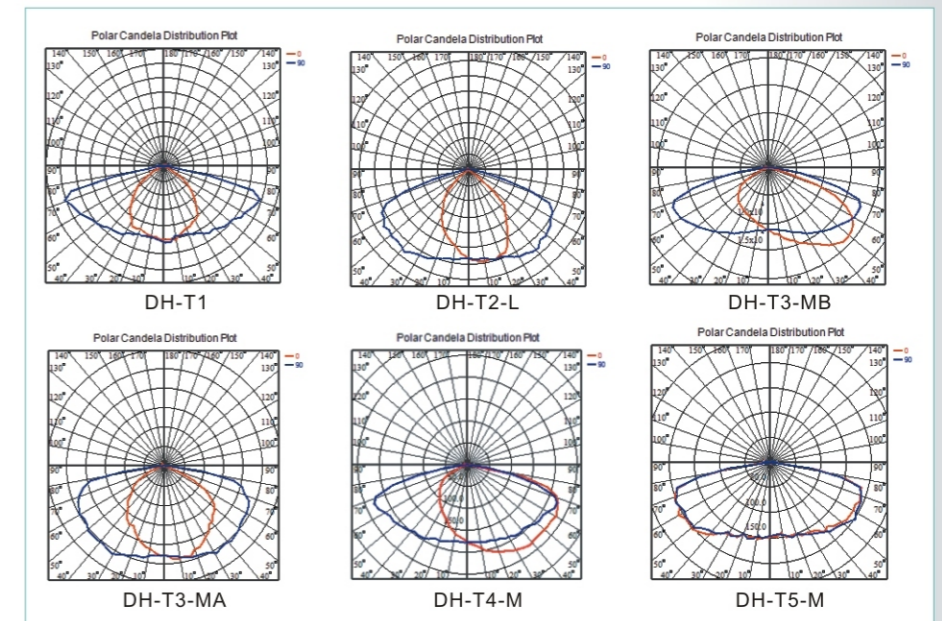
IP66 CE ROHS

Color:

- Double Grey
- Sandy Black
- Matt Silver



Photometric Data



Product Size

Product Code	YASL-13-50	YASL-13-100	YASL-13-150
L (mm)	641	738	923
W (mm)	241	289	360
H (mm)	114	114	150

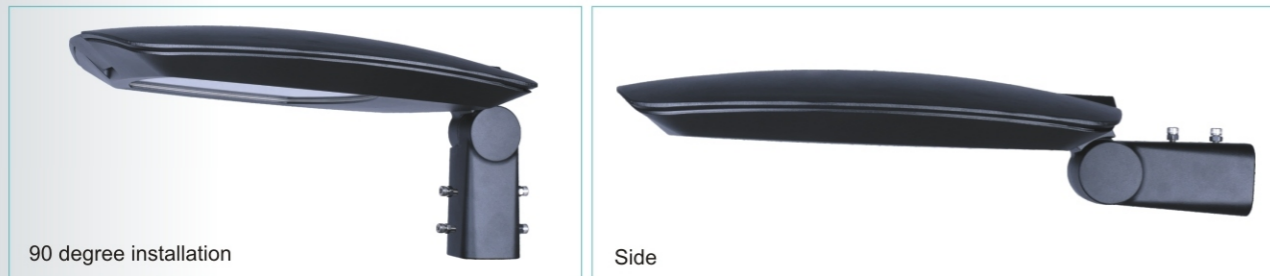


YASL-12A-120

LED Street Light YASL-12A

Installing Ways:
Both Horizontal and Vertical available and adjustable angle -30° to 30°

Material:
Die casting body
Ultra clear tempered glass and PC lens



Product Specification

Product Code	YASL-12A-50	YASL-12A-120
Input Wattage	80W	150W
Color Temperature	3000-6500K	3000-6500K
Luminous Flux	8800-10000lm	17250-18750lm
Input Voltage	AC90-305V	AC90-305V
Frequency Range	50/60Hz	50/60Hz
Power Factor	PF≥0.95	PF≥0.95
Color rendering index	Ra≥70	Ra≥70
Temperature of Working Condition	-40-50°C	-40-50°C
Humidity of Working Condition	20%-90%RH	20%-90%RH
LED Lifetime	50000h	50000h
Protection Grade	IP66	IP66
Installation Pipe Diameter	Φ60mm	Φ60mm
Installation Height	4-8m	6-12m
Net Weight	9.0kgs	12.5kgs
Gross Weight	9.5kgs	13.8kgs
Packing Size(mm)	490×590×155	570×700×165



YASL-12A-50

LED Street Light YASL-12A

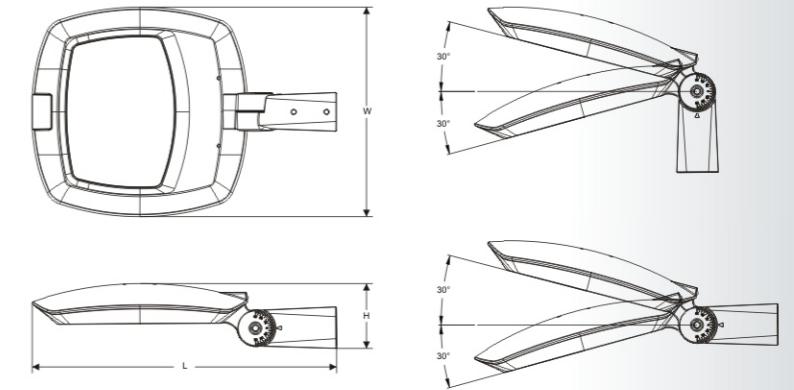
Product Description

This series is a high-performance street lighting available in two sizes. The luminaire is manufactured from high pressure die-casting aluminum. It shall have a led efficiency up to 120 lm/w and will be capable of producing up to 18000 luminaire lumens at 4000K finished in Grey or black as standard.

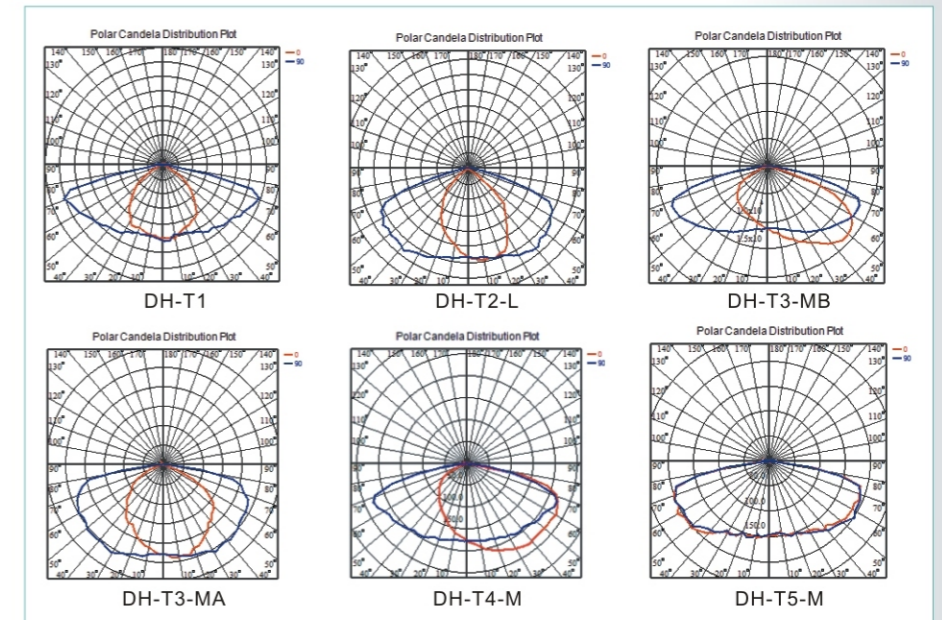
IP66 CE ROHS

Color:

- Double Grey
- Sandy Black
- Matt Silver



Photometric Data



Product Size

Product Code	YASL-12A-50	YASL-12A-120
L (mm)	603	711
W (mm)	416	522
H (mm)	129	132



LED Street Light YASL-11

Installing Ways:
Both Horizontal and Vertical available
and adjustable angle -10 °to 10 °

Material:
Die casting Aluminum body ,
Ultra clear tempered glass and PC lens



Product Specification

Product Code	YASL-11B-40	YASL-11B-50	YASL-11B-120
Input Wattage	40W	60W	120W
Color Temperature	3000-6500K	3000-6500K	3000-6500K
Luminous Flux	4400-4800lm	6900-7500lm	13800-15600 lm
Input Voltage	AC90-305V	AC90-305V	AC90-305V
Frequency Range	50/60Hz	50/60Hz	50/60Hz
Power Factor	PF≥0.95	PF≥0.95	PF≥0.95
Color rendering index	Ra≥70	Ra≥70	Ra≥70
Temperature of Working Condition	-40-50°C	-40-50°C	-40-50°C
Humidity of Working Condition	20%-90%RH	20%-90%RH	20%-90%RH
LED Lifetime	50000h	50000h	50000h
Protection Grade	IP66	IP66	IP66
Installation Pipe Diameter	Φ60mm	Φ60mm	Φ60mm
Installation Height	4-8m	6-10m	8-12m
Net Weight	3.5kgs	5.3kgs	8.8kgs
Gross Weight	3.9kgs	5.8kgs	9.3kgs
Packing Size(mm)	600×270×155	685×290×170	850×370×220



LED Street Light YASL-11

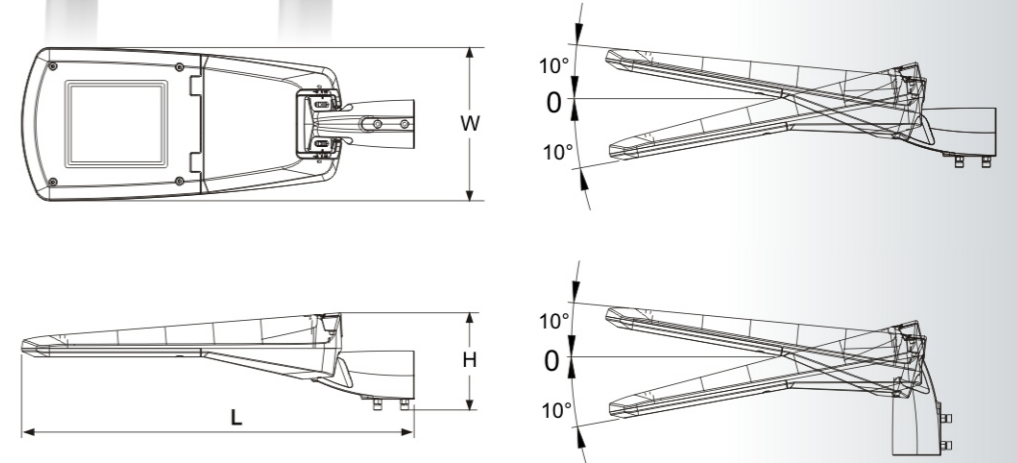
Product Description

This series is a high-performance street lighting available in three sizes.
The luminaire is manufactured from high pressure die-casting aluminum.
It shall have a led efficiency up to 120 lm/w and will be capable of producing
up to 15600 luminaire lumens at 4000K finished in Grey or black as standard.

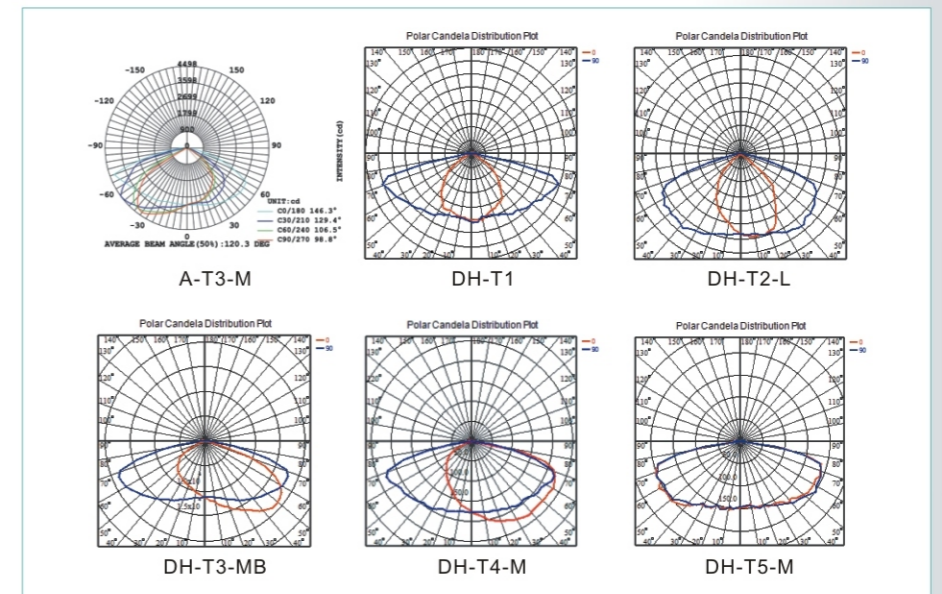
IP66 CE ROHS

Color:

- Double Grey
- Sandy Black
- Matt Silver



Photometric Data



Product Size

Product Code	YASL-11B-40	YASL-11B-50	YASL-11B-120
L (mm)	581	655	785
W (mm)	220	256	320
H (mm)	157	162	180



YASL-10-120

LED Street Light YASL-10

Installing Ways:
Horizontal only

Material:
Die casting Aluminum body
and glass lens



Back



Front



Side

Product Specification

Product Code	YASL-10-50	YASL-10-100	YASL-10-110	YASL-10-150	YASL-10-180
Power	50W Max	100W Max	110W Max	150W Max	180W Max
Color Temperature	3000-6500K	3000-6500K	3000-6500K	3000-6500K	3000-6500K
Efficiency	> 120LM/W	> 120LM/W	> 120LM/W	> 120LM/W	> 120LM/W
Voltage	AC90-305V	AC90-305V	AC90-305V	AC90-305V	AC90-305V
Power Factor	PF≥0.95	PF≥0.95	PF≥0.95	PF≥0.95	PF≥0.95
CRI(Ra)	Ra≥70	Ra≥70	Ra≥70	Ra≥70	Ra≥70
Ambient Temperature	-40-50°C	-40-50°C	-40-50°C	-40-50°C	-40-50°C
Ambient Humidity	20%-90%RH	20%-90%RH	20%-90%RH	20%-90%RH	20%-90%RH
Lifetime(hrs)	50000h	50000h	50000h	50000h	50000h
IP Rate	IP66	IP66	IP66	IP66	IP66
Installation Pipe Diameter	Φ60mm	Φ60mm	Φ60mm	Φ60mm	Φ60mm
Installation Height	6-8m	10-12m	10-12m	12-14m	12-14m
Net Weight	3.6kgs	4.5kgs	4.5kgs	7.0kgs	8.5kgs
Gross Weight	4.2kgs	5.0kgs	5.0kgs	7.5kgs	9.0kgs
Packing Size(mm)	520×195×290	640×280×155	640×280×155	745×330×175	865×360×180



YASL-10-50

LED Street Light YASL-10

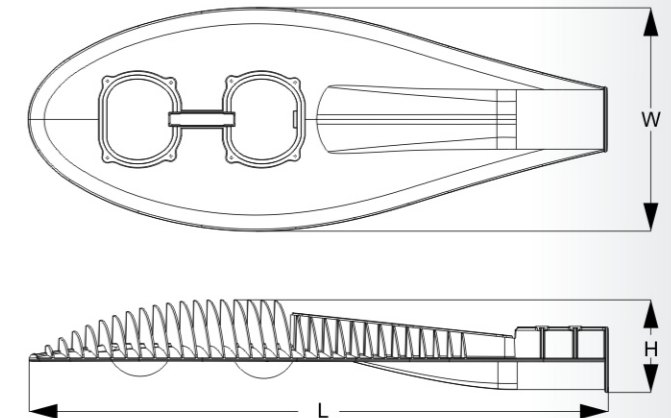
Product Description

This series is a high-performance street lighting available in five sizes. The luminaire is manufactured from high pressure die-casting aluminum. It shall have a led efficacy up to 120 lm/w and will be capable of producing up to 21600 luminaire lumens at 4000K finished in Grey or black as standard.

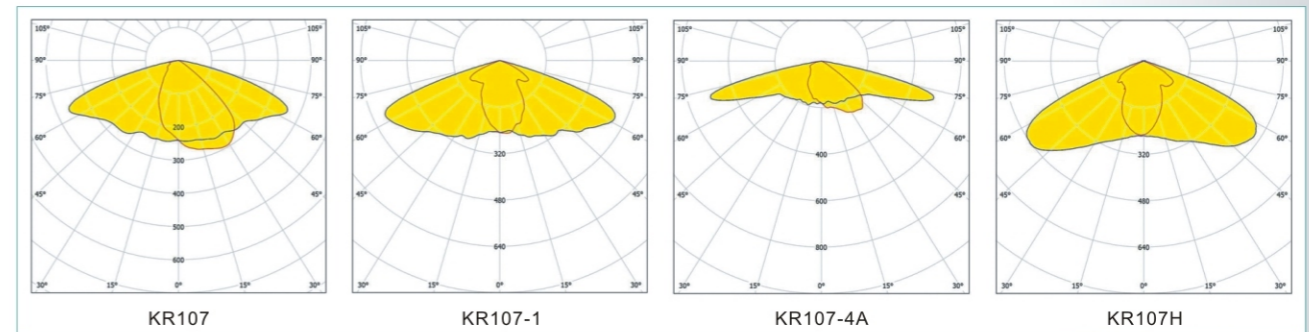
IP66 CE ROHS

Color:

- Double Grey
- Sandy Black
- Matt Silver



Photometric Data



Product Size

Product Code	YASL-10-50	YASL-10-100	YASL-10-110	YASL-10-150	YASL-10-180
L (mm)	480	600	600	700	825
W (mm)	174	235	235	271	309
H (mm)	95	100	100	112	113



YASL-09-150

LED Street Light YASL-09

Installing Ways:
Both Horizontal and Vertical available and adjustable angle -10° to 10°

Material:
Die casting Aluminum body ,
Ultra clear tempered glass and PC lens .



90 degree installation



Front



Back



Side

Product Specification

Product Code	YASL-09-30	YASL-09-50	YASL-09-100	YASL-09-150
Input Wattage	40W	60W	100W	180W
Color Temperature	3000-6500K	3000-6500K	3000-6500K	3000-6500K
Luminous Flux	4200-4800 lm	6600-7500 lm	11000-12500 lm	19800-22500 lm
Input Voltage	AC90-305V	AC90-305V	AC90-305V	AC90-305V
Frequency Range	50/60Hz	50/60Hz	50/60Hz	50/60Hz
Power Factor	PF≥0.95	PF≥0.95	PF≥0.95	PF≥0.95
Color rendering index	Ra≥70	Ra≥70	Ra≥70	Ra≥70
Temperature of Working Condition	-40-50°C	-40-50°C	-40-50°C	-40-50°C
Humidity of Working Condition	20%-90%RH	20%-90%RH	20%-90%RH	20%-90%RH
LED Lifetime	50000h	50000h	50000h	50000h
Protection Grade	IP66	IP66	IP66	IP66
Installation Pipe Diameter	Φ50-60mm	Φ50-60mm	Φ50-60mm	Φ60-70mm
Installation Height	3-6m	4-8m	8-12m	10-14m
Net Weight	2.7kgs	4.0kgs	6.5kgs	12.8kgs
Gross Weight	3.0kgs	4.5kgs	7.0kgs	13.2kgs
Packing Size(mm)	490×250×210	560×250×210	675×315×155	895×400×175



YASL-09-30

LED Street Light YASL-09

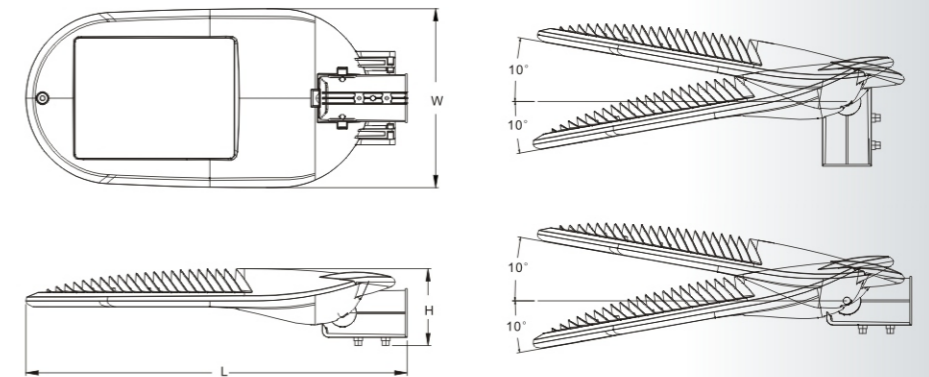
Product Description

This series is a high-performance street lighting available in four sizes. The luminaire is manufactured from high pressure die-casting aluminum. It shall have a led efficacy up to 120 lm/w and will be capable of producing up to 21600 luminaire lumens at 4000K finished in Grey or black as standard

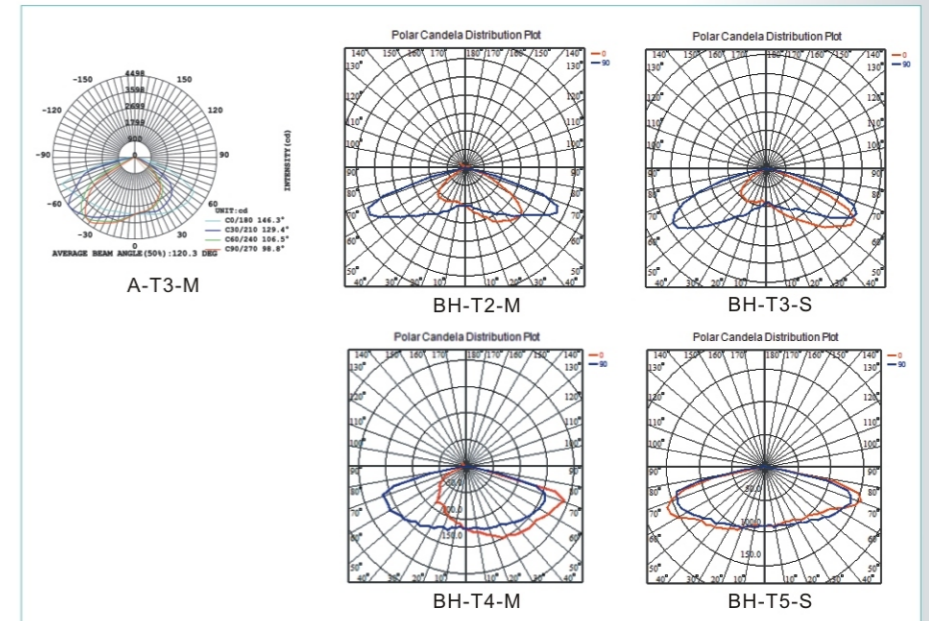
IP66 CE ROHS

Color:

- Double Grey
- Sandy Black
- Matt Silver



Photometric Data



Product Size

Product Code	YASL-09-30	YASL-09-50	YASL-09-100	YASL-09-150
L (mm)	455	530	622	846
W (mm)	180	230	292	367
H (mm)	95	105	112	134



YASL-08-180

LED Street Light YASL-08

Installing Ways:
Horizontal only

Material:
Die casting Aluminum body
and glass lens



Front



Back



Side

Product Specification

Product Code	YASL-08-30	YASL-08-50	YASL-08-80	YASL-08-120	YASL-08-180
Input Wattage	30W	50W	80W	120W	180W
Color Temperature	3000-6500K	3000-6500K	3000-6500K	3000-6500K	3000-6500K
Luminous Flux	3150-3600 lm	5250-6000 lm	8400-9600 lm	12600-14400 lm	18900-21600 lm
Input Voltage	AC90-305V	AC90-305V	AC90-305V	AC90-305V	AC90-305V
Frequency Range	50/60Hz	50/60Hz	50/60Hz	50/60Hz	50/60Hz
Power Factor	PF≥0.95	PF≥0.95	PF≥0.95	PF≥0.95	PF≥0.95
Color rendering index	Ra≥70	Ra≥70	Ra≥70	Ra≥70	Ra≥70
Temperature of Working Condition	-40-50°C	-40-50°C	-40-50°C	-40-50°C	-40-50°C
Humidity of Working Condition	20%-90%RH	20%-90%RH	20%-90%RH	20%-90%RH	20%-90%RH
LED Lifetime	50000h	50000h	50000h	50000h	50000h
Protection Grade	IP66	IP66	IP66	IP66	IP66
Installation Pipe Diameter	Φ40mm	Φ50mm	Φ60mm	Φ60mm	Φ70mm
Installation Height	4-7m	5-8m	6-10m	8-12m	10-14m
Net Weight	2.0kgs	2.7kgs	3.7kgs	4.8kgs	6.9kgs
Gross Weight	2.4kgs	3.0kgs	4.0kgs	5.2kgs	7.6kgs
Packing Size(mm)	440×195×220	545×230×115	665×300×140	765×300×140	905×355×150



YASL-08-120

LED Street Light YASL-08

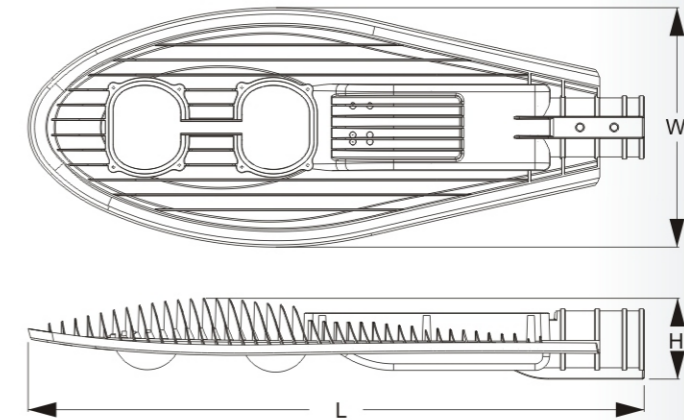
Product Description

This series is a high-performance street lighting available in five sizes. The luminaire is manufactured from high pressure die-casting aluminum. It shall have a led efficacy up to 120 lm/w and will be capable of producing up to 21600 luminaire lumens at 4000K finished in Grey or black as standard.

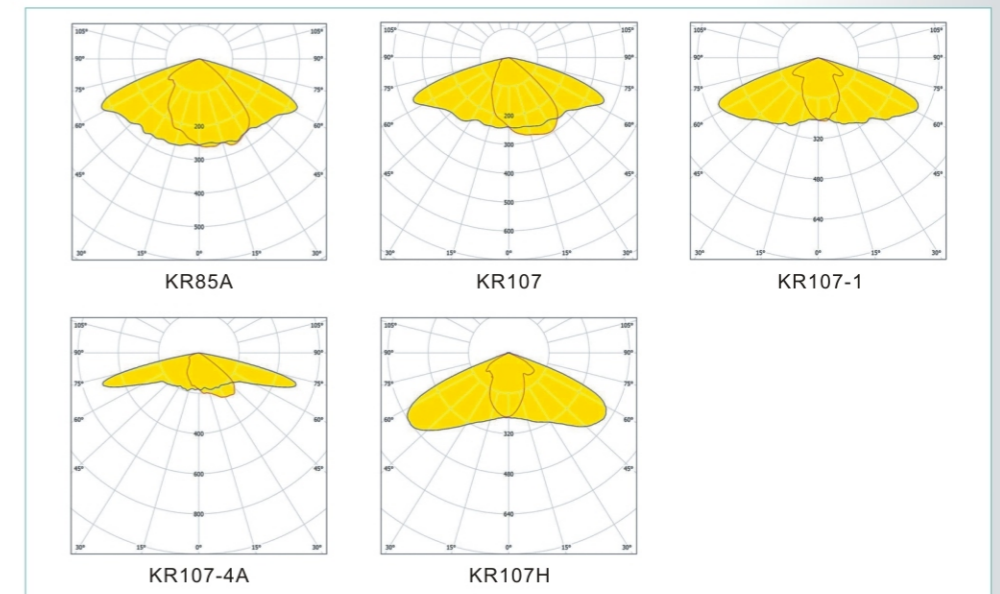
IP66 CE ROHS

Color:

- Double Grey
- Sandy Black
- Matt Silver



Photometric Data



Product Size

Product Code	YASL-08-30	YASL-08-50	YASL-08-80	YASL-08-120	YASL-08-180
L (mm)	400	500	621	720	881
W (mm)	171	214	261	280	300
H (mm)	58	66	83	95	101

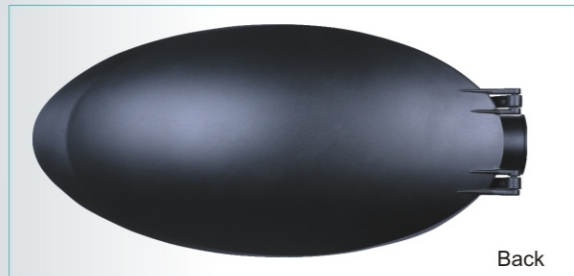


YASL-07-50

LED Street Light YASL-07

Installing Ways:
Both Horizontal and Vertical available and adjustable angle -10 °to 10 °

Material: Die casting Aluminum body, and PC lens.



Back



Front



Side

Product Specification

Product Code	YASL-07-50	YASL-07-100
Input Wattage	50W	100W
Color Temperature	3000-6500K	3000-6500K
Luminous Flux	5000-5500 lm	10000-11000 lm
Input Voltage	AC90-305V	AC90-305V
Frequency Range	50/60Hz	50/60Hz
Power Factor	PF≥0.95	PF≥0.95
Color rendering index	Ra≥70	Ra≥70
Temperature of Working Condition	-40-50°C	-40-50°C
Humidity of Working Condition	20%-90%RH	20%-90%RH
LED Lifetime	50000h	50000h
Protection Grade	IP66	IP66
Installation Pipe Diameter	Φ50-60mm	Φ60-70mm
Installation Height	4-8m	6-10m
Net Weight	4.5kgs	7.0kgs
Gross Weight	5.0kgs	7.5kgs
Packing Size(mm)	700×350×160	905×415×190



YASL-07-50

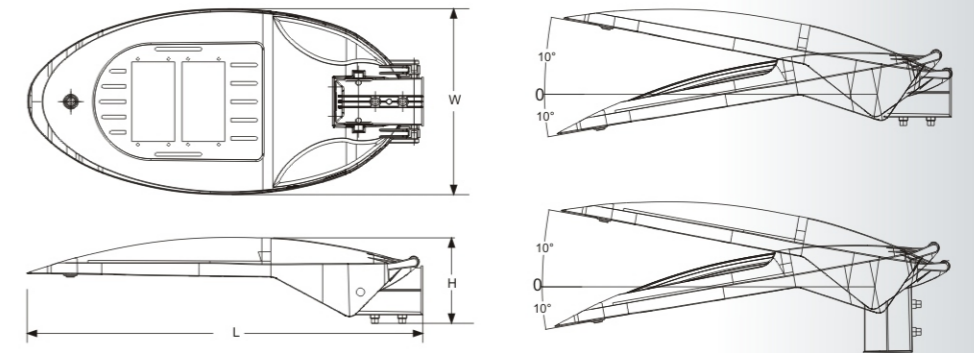
90 degree installation

LED Street Light YASL-07

Product Description

This series is a high-performance street lighting available in two sizes. The luminaire is manufactured from high pressure die-casting aluminum. It shall have a led efficacy up to 120 lm/w and will be capable of producing up to 11000 luminaire lumens at 4000K finished in Grey or black as standard.

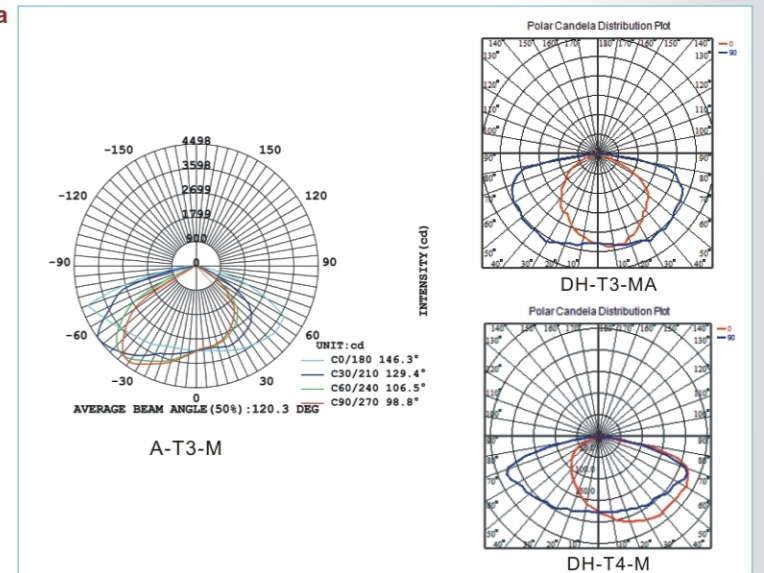
IP66 CE ROHS



Color:

- Double Grey
- Sandy Black
- Matt Silver

Photometric Data



Product Size

Product Code	YASL-07-50	YASL-07-100
L (mm)	646	864
W (mm)	304	374
H (mm)	140	177



YASL-06-80

YASL-06-80

LED Street Light YASL-06

Installing Ways:
Both Horizontal and Vertical available
and adjustable angle -10 °to 10 °

Material: Die casting Aluminum body,
Ultra clear tempered glass and PC lens.

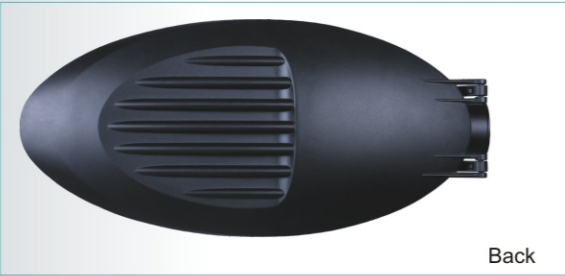
LED Street Light YASL-06

Product Description

This series is a high-performance street lighting available in two sizes.
The luminaire is manufactured from high pressure die-casting aluminum.
It shall have a led efficacy up to 120 lm/w and will be capable of producing up to 12000 luminaire lumens at 4000K finished
in Grey or black as standard.

IP66 CE ROHS

- Color:**
- Double Grey
 - Sandy Black
 - Matt Silver



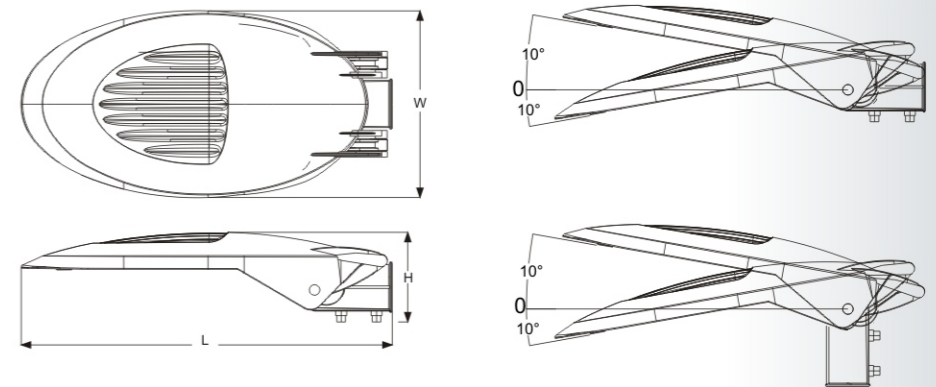
Back



Front



Side

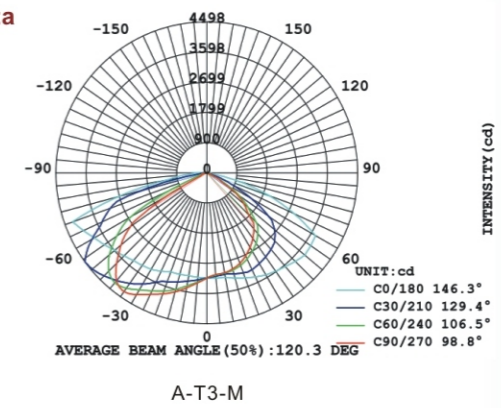


90 degree installation

Product Specification

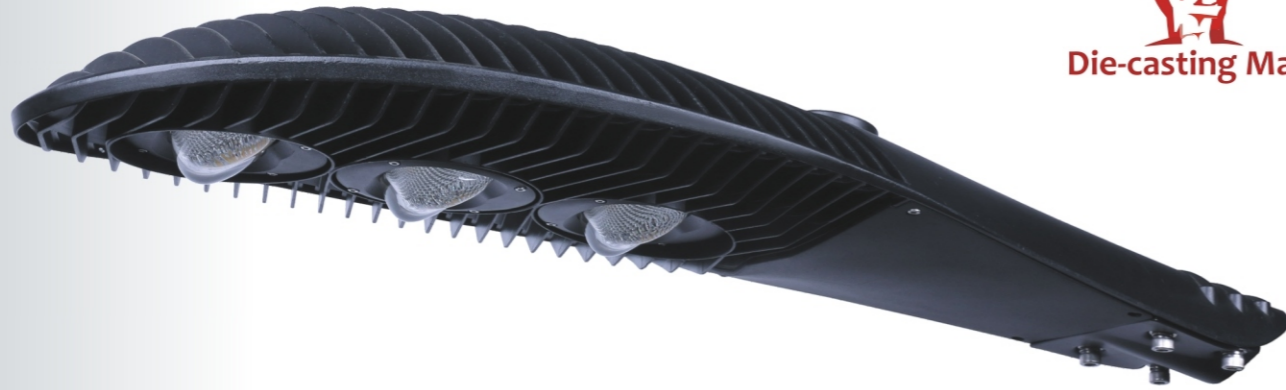
Product Code	YASL-06-40	YASL-06-80
Input Wattage	50W	100W
Color Temperature	3000-6500K	3000-6500K
Luminous Flux	5250-5500 lm	10500-12500 lm
Input Voltage	AC90-305V	AC90-305V
Frequency Range	50/60Hz	50/60Hz
Power Factor	PF≥0.95	PF≥0.95
Color rendering index	Ra≥70	Ra≥70
Temperature of Working Condition	-40-50°C	-40-50°C
Humidity of Working Condition	20%-90%RH	20%-90%RH
LED Lifetime	50000h	50000h
Protection Grade	IP66	IP66
Installation Pipe Diameter	Φ50-60mm	Φ50-60mm
Installation Height	4-8m	4-8m
Net Weight	3.7kgs	6.5kgs
Gross Weight	4.0kgs	7.0kgs
Packing Size(mm)	560×265×145	700×350×160

Photometric Data



Product Size

Product Code	YASL-06-40	YASL-06-80
L (mm)	518	646
W (mm)	238	304
H (mm)	118	140



YASL-04-180

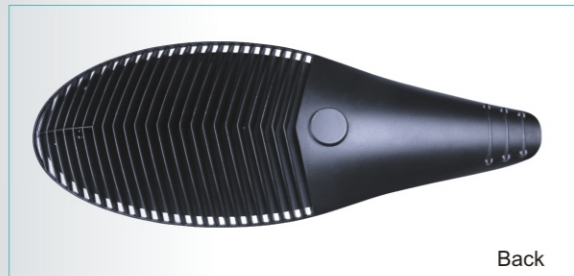
LED Street Light YASL-04

Installing Ways:
Horizontal only.

Material: Die casting Aluminum body,
Ultra clear tempered glass and glass lens.



Front



Back



Side

Product Specification

Product Code	YASL-04-80	YASL-04-120	YASL-04-180
Input Wattage	80W	120W	180W
Color Temperature	3000-6500K	3000-6500K	3000-6500K
Luminous Flux	8800-9600lm	13200-14400 lm	19800-21600 lm
Input Voltage	AC90-305V	AC90-305V	AC90-305V
Frequency Range	50/60Hz	50/60Hz	50/60Hz
Power Factor	PF≥0.95	PF≥0.95	PF≥0.95
Color rendering index	Ra≥70	Ra≥70	Ra≥70
Temperature of Working Condition	-40-50°C	-40-50°C	-40-50°C
Humidity of Working Condition	20%-90%RH	20%-90%RH	20%-90%RH
LED Lifetime	50000h	50000h	50000h
Protection Grade	IP66	IP66	IP66
Installation Pipe Diameter	Φ60mm	Φ60mm	Φ60mm
Installation Height	6-8m	8-12m	10-14m
Net Weight	5.0kgs	7.5kgs	11.5kgs
Gross Weight	5.4kgs	8.0kgs	12.5kgs
Packing Size(mm)	705×290×160	860×330×160	1005×400×185



YASL-04-120



YASL-04-80

LED Street Light YASL-04

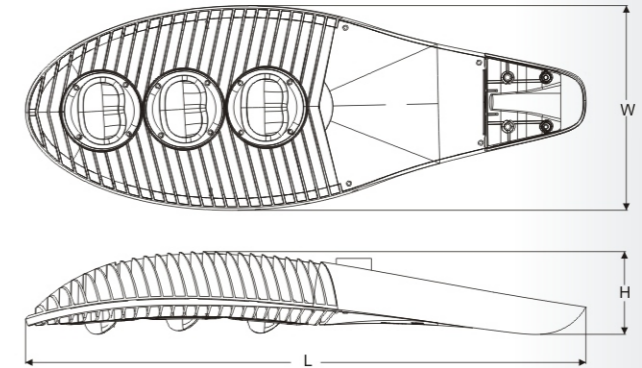
Product Description

This series is a high-performance street lighting available in three sizes. The luminaire is manufactured from high pressure die-casting aluminum. It shall have a led efficacy up to 120 lm/w and will be capable of producing up to 18000 luminaire lumens at 4000K finished in Grey or black as standard.

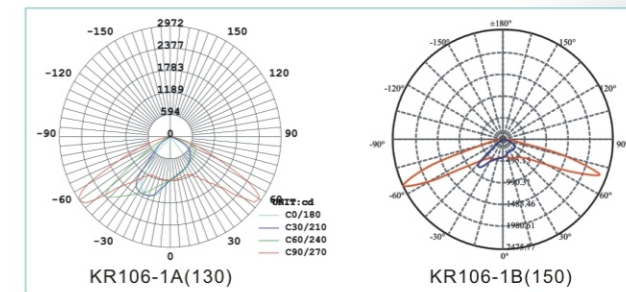
IP66 CE ROHS

Color:

- Double Grey
- Sandy Black
- Matt Silver

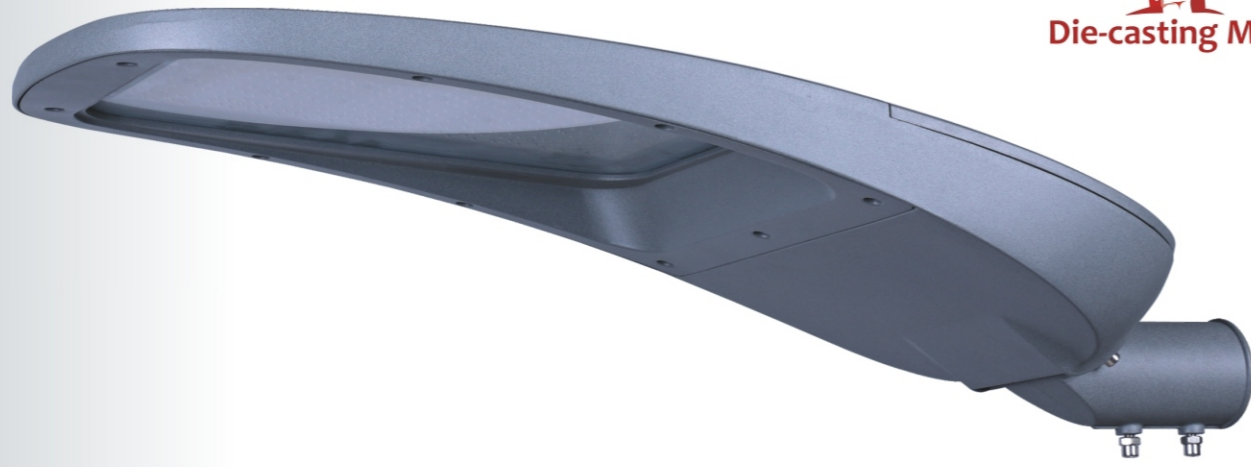


Photometric Data



Product Size

Product Code	YASL-04-80	YASL-04-120	YASL-04-180
L (mm)	650	800	950
W (mm)	237	291	347
H (mm)	121	131	155



YASL-03-200



YASL-03-200

90 degree installation

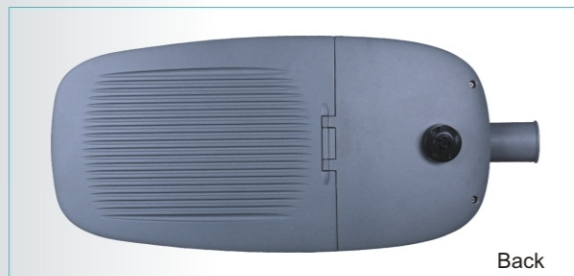
LED Street Light YASL-03

Installing Ways:
Both Horizontal and Vertical available and adjustable angle 0 °to 15 °

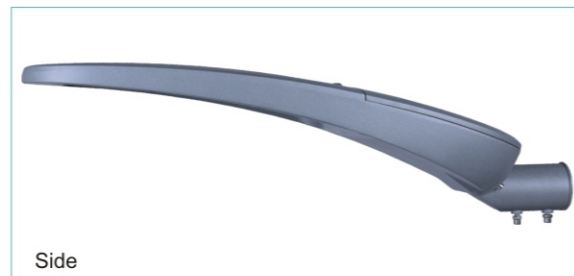
Material:
Die casting Aluminum body,
Ultra clear tempered glass and PC lens.



Front



Back



Side

Product Specification

Product Code	YASL-03-40	YASL-03-50	YASL-03-100	YASL-03-200
Input Wattage	30W	60W	120W	200W
Color Temperature	3000-6500K	3000-6500K	3000-6500K	3000-6500K
Luminous Flux	3300-3600 lm	6600-7200lm	13200-14400lm	22000-25000lm
Input Voltage	AC90-305V	AC90-305V	AC90-305V	AC90-305V
Frequency Range	50/60Hz	50/60Hz	50/60Hz	50/60Hz
Power Factor	PF≥0.95	PF≥0.95	PF≥0.95	PF≥0.95
Color rendering index	Ra≥70	Ra≥70	Ra≥70	Ra≥70
Temperature of Working Condition	-40-50°C	-40-50°C	-40-50°C	-40-50°C
Humidity of Working Condition	20%-90%RH	20%-90%RH	20%-90%RH	20%-90%RH
LED Lifetime	50000h	50000h	50000h	50000h
Protection Grade	IP66	IP66	IP66	IP66
Installation Pipe Diameter	Φ50mm	Φ60mm	Φ60mm	Φ60mm
Installation Height	4-6m	4-8m	8-12m	10-14m
Net Weight	3.7kgs	5.5kgs	7.5kgs	11.8kgs
Gross Weight	4.0kgs	6.0kgs	8.0kgs	12.5kgs
Packing Size(mm)	570×240×255	680×295×150	750×355×165	915×415×185

LED Street Light YASL-03

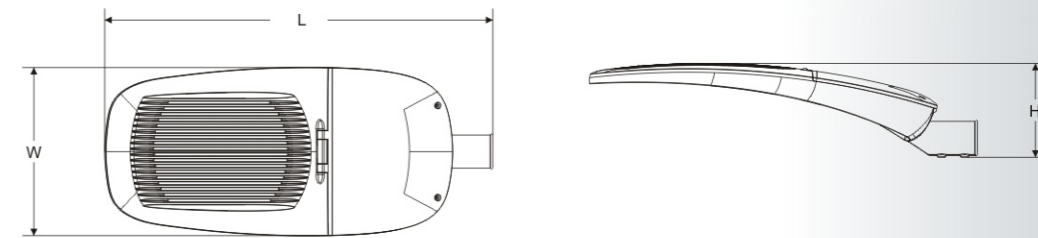
Product Description

This series is a high-performance street lighting available in four sizes. The luminaire is manufactured from high pressure die-casting aluminum. It shall have a led efficacy up to 120 lm/w and will be capable of producing up to 24000 luminaire lumens at 4000K finished in Grey or black as standard.

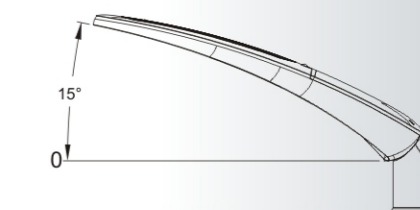
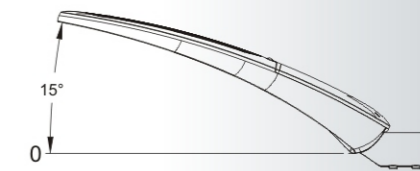
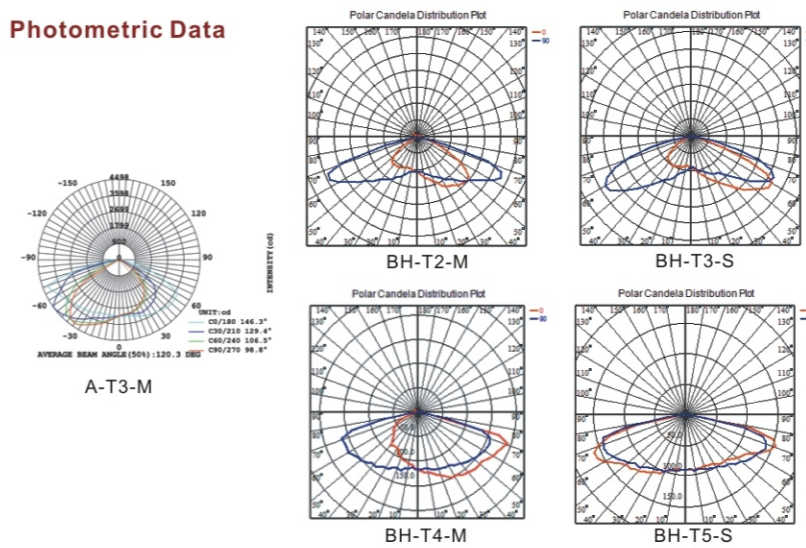
IP66 CE ROHS

Color:

- Double Grey
- Sandy Black
- Matt Silver



Photometric Data



Product Size

Product Code	YASL-03-40	YASL-03-50	YASL-03-100	YASL-03-200
L (mm)	500	618	684	850
W (mm)	210	260	300	365
H (mm)	151	187	185	198



LED Street Light YASL-02

Installing Ways:
Horizontal only.

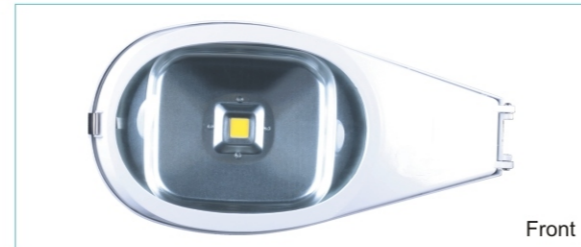
Material: Die casting Aluminum body,
Ultra clear tempered glass and aluminum reflector.

Color:

- Double Grey
- Sandy Black
- Matt Silver



Back



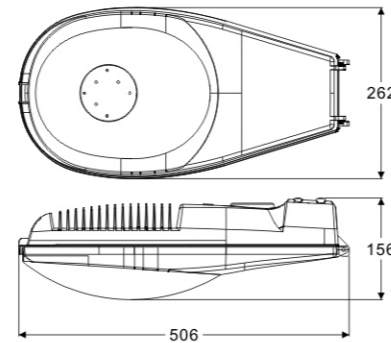
Front



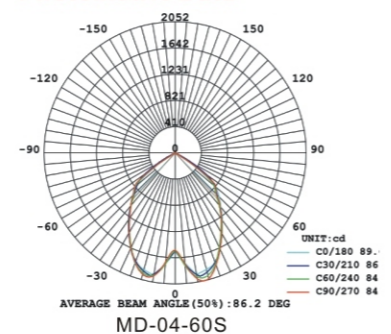
Side

Product Specification

Product Code	YASL-02-50
Input Wattage	50W
Color Temperature	3000-6500K
Luminous Flux	5500-6500 lm
Input Voltage	AC90-305V
Frequency Range	50/60Hz
Power Factor	PF≥0.95
Color rendering index	Ra≥70
Temperature of Working Condition	-40-50°C
Humidity of Working Condition	20%-90%RH
LED Lifetime	50000h
Protection Grade	IP65
Installation Pipe Diameter	Φ60mm
Installation Height	6-8m
Net Weight	4.0kgs
Gross Weight	5.0kgs
Packing Size(mm)	580×290×330



Photometric Data



LED Garden Light YAGD-01

Installing Ways:
Horizontal only.

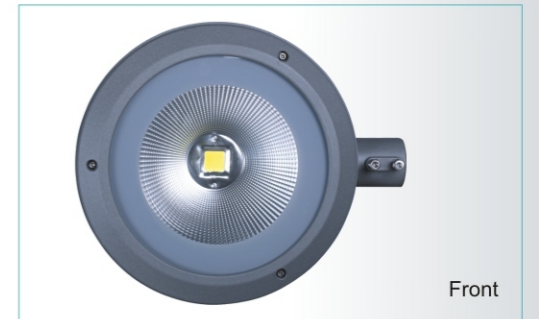
Material:
Die casting body,
Ultra clear tempered glass.

Color:

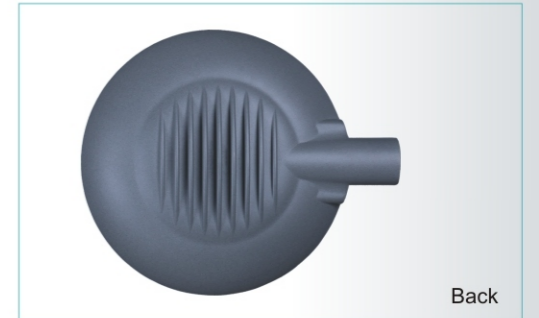
- Double Grey
- Sandy Black
- Matt Silver



Side



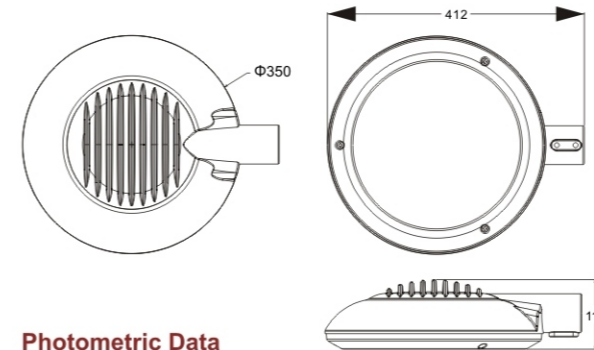
Front



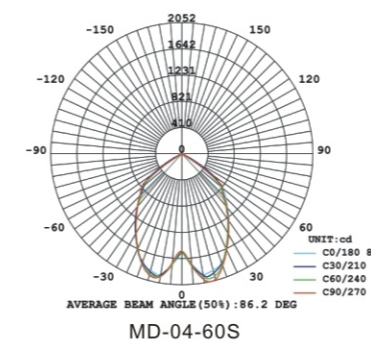
Back

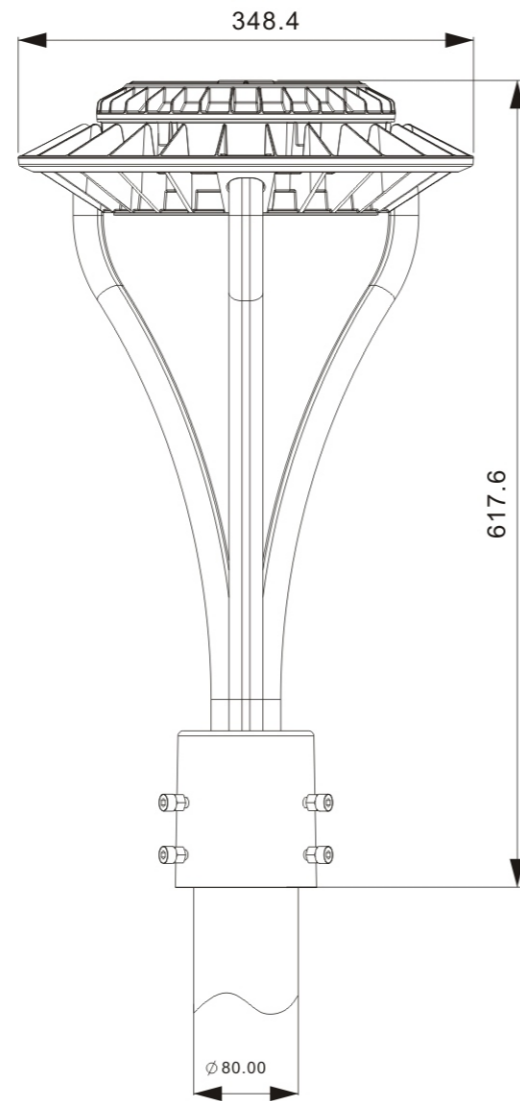
Product Specification

Product Code	YAGD-01-50
Input Wattage	50W
Color Temperature	3000-6500K
Luminous Flux	5500-6500 lm
Input Voltage	AC90-305V
Frequency Range	50/60Hz
Power Factor	PF≥0.95
Color rendering index	Ra≥70
Temperature of Working Condition	-40-50°C
Humidity of Working Condition	20%-90%RH
LED Lifetime	50000h
Protection Grade	IP66
Installation Pipe Diameter	Φ50mm
Installation Height	6-8m
Net Weight	4.4kgs
Gross Weight	5.2kgs
Packing Size(mm)	390×390×150

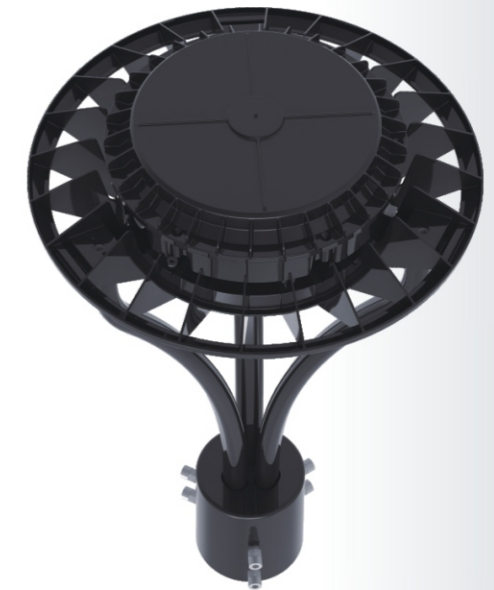


Photometric Data





LED Garden Light YAUB-04



- Color:**
- Double Grey
 - Sandy Black
 - Matt Silver

LED Garden Light YAUB-04

Installing Ways:
Horizontal only.

Material:
Die casting body,
Ultra clear tempered glass.

Product Description

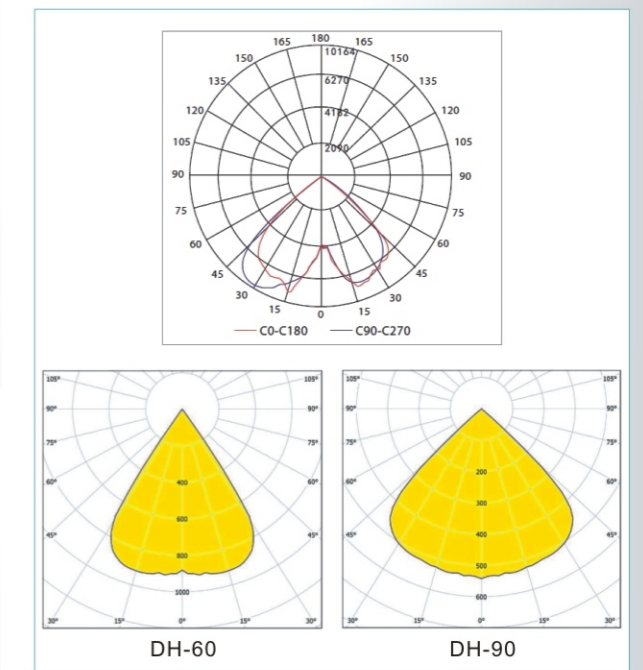
This 30-80W LED garden light die-casting body waterproof lighting fixtures. 2019 new design with CE IP66 5years warranty, it was made up with die-casting body+ three-arms+ die-casting aluminum heat sink on the top.

IP66 CE ROHS

Product Specification

Product Code	YAUB-04-80
Input Wattage	80W
Color Temperature	3000-6500K
Luminous Flux	10000-12000 lm
Input Voltage	AC90-305V
Frequency Range	50/60Hz
Power Factor	PF≥0.95
Color rendering index	Ra≥70-80
Temperature of Working Condition	-40-50°C
Humidity of Working Condition	20%-90%RH
LED Lifetime	50000h
Protection Grade	IP66
Installation Pipe Diameter	Φ80-105mm
Installation Height	3-6m
Net Weight	4.0kgs
Gross Weight	4.2kgs
Product Size(mm)	Φ348×615
Packing Size(mm)	430×450×180

Photometric Data





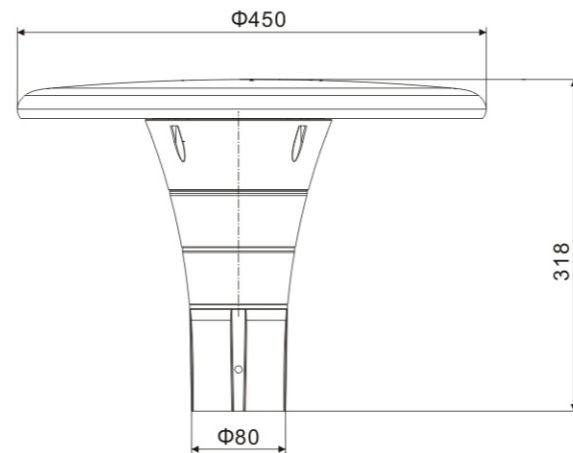
LED Garden Light YAUB-03A

Installing Ways:
Horizontal only.

Material: Die casting Aluminum body,
Ultra clear tempered glass.

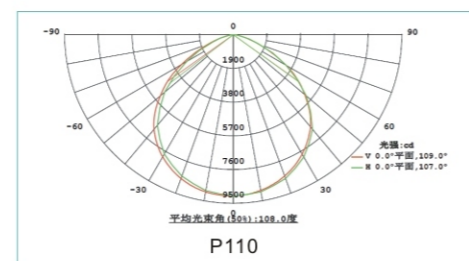
Product Specification

Product Code	YAUB-03A-80
Input Wattage	80W
Color Temperature	3000-6500K
Luminous Flux	7200-9000 lm
Input Voltage	AC90-305V
Frequency Range	50/60Hz
Power Factor	PF≥0.95
Color rendering index	Ra≥70
Temperature of Working Condition	-40-50°C
Humidity of Working Condition	10%-90%RH
LED Lifetime	50000h
Protection Grade	IP66
Installation Pipe Diameter	Φ80mm
Installation Height	4-8m
Net Weight	5.0kgs
Gross Weight	5.5kgs
Packing Size(mm)	560×520×400



Color:
 Double Grey
 Sandy Black
 Matt Silver

Photometric Data



Color:
 Double Grey
 Sandy Black
 Matt Silver

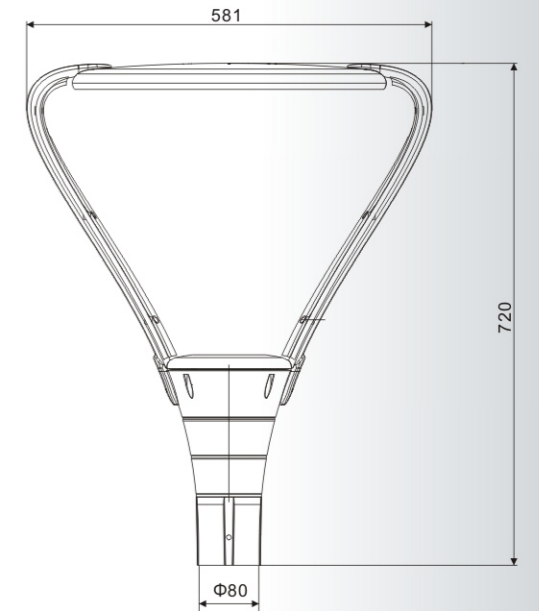
LED Garden Light YAUB-03B

Installing Ways:
Horizontal only.

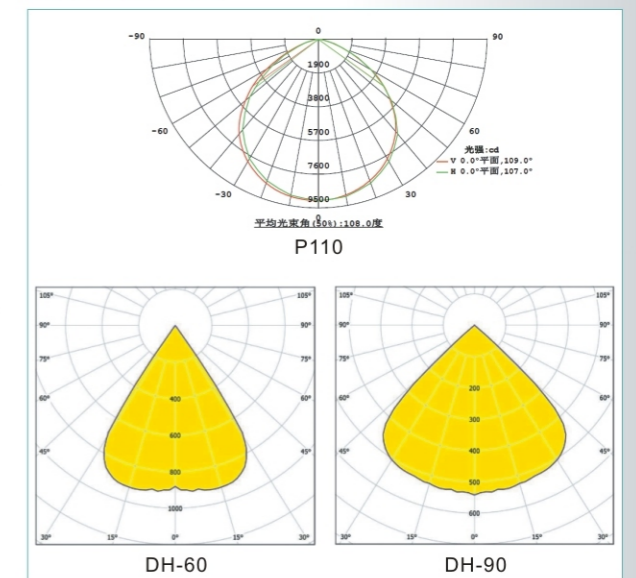
Material: Die casting Aluminum body,
Ultra clear tempered glass and PC lens.

Product Specification

Product Code	YAUB-03B-80
Input Wattage	80W
Color Temperature	3000-6500K
Luminous Flux	7200-9000 lm
Input Voltage	AC90-305V
Frequency Range	50/60Hz
Power Factor	PF≥0.95
Color rendering index	Ra≥70
Temperature of Working Condition	-40-50°C
Humidity of Working Condition	10%-90%RH
LED Lifetime	50000h
Protection Grade	IP66
Installation Pipe Diameter	Φ80mm
Installation Height	4-8m
Net Weight	6.0kgs
Gross Weight	6.5kgs
Packing Size(mm)	560×520×300



Photometric Data





YAUB-02-120



YAUB-02-50

LED Garden Light YAUB-02

Material:
Die casting body,
Ultra clear tempered glass and PC lens.

Product Specification

Product Code	YAUB-02-50	YAUB-02-120
Input Wattage	80W	150W
Color Temperature	3000-6500K	3000-6500K
Luminous Flux	8800-10000lm	17250-18750lm
Input Voltage	AC90-305V	AC90-305V
Frequency Range	50/60Hz	50/60Hz
Power Factor	PF \geq 0.95	PF \geq 0.95
Color rendering index	Ra \geq 70	Ra \geq 70
Temperature of Working Condition	-40-50°C	-40-50°C
Humidity of Working Condition	20%-90%RH	20%-90%RH
LED Lifetime	50000h	50000h
Protection Grade	IP66	IP66
Installation Pipe Diameter	Φ 60mm	Φ 60mm
Installation Height	3-6m	5-8m
Net Weight	9.5kgs	13.0kgs
Gross Weight	10.0kgs	14.0kgs
Packing Size(mm)	490 \times 590 \times 155	570 \times 700 \times 165



YAUB-02-120

LED Garden Light YAUB-02

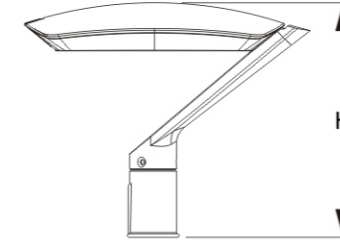
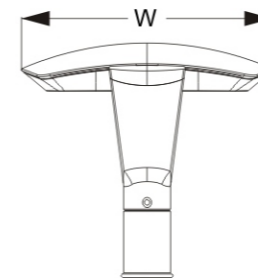
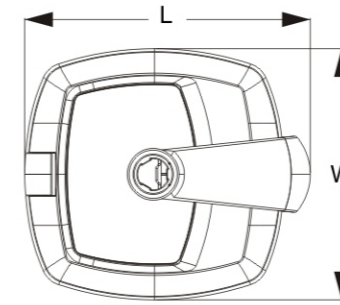
Product Description

This series is a high-performance street lighting available in two sizes. The luminaire is manufactured from high pressure die-casting aluminum. It shall have a led efficiency up to 120 lm/w and will be capable of producing up to 18000 luminaire lumens at 4000K finished in Grey or black as standard.

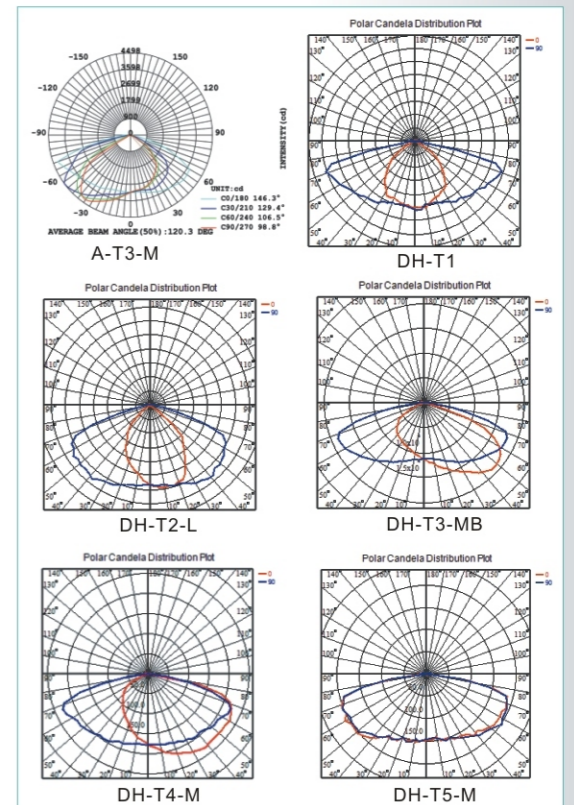
IP66 CE ROHS

Color:

- Double Grey
- Sandy Black
- Matt Silver



Photometric Data

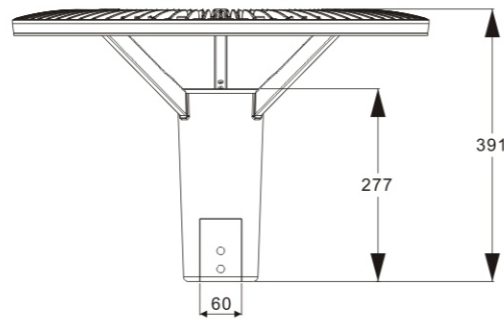


Product Size

Code	YAUB-02-50	YAUB-02-120
L (mm)	474	580
W (mm)	416	522
H (mm)	390	390



- Color:**
- Double Grey
 - Sandy Black
 - Matt Silver



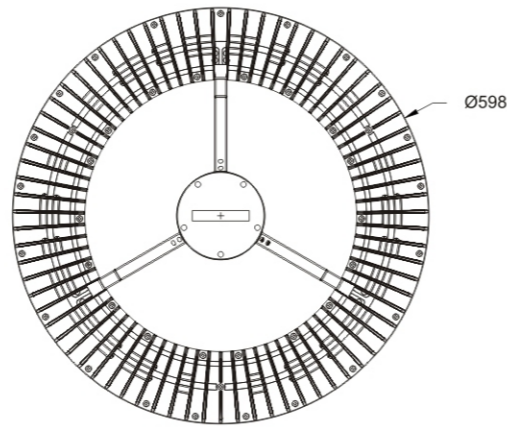
LED Garden Light YAUB-01

Installing Ways:
Horizontal only.

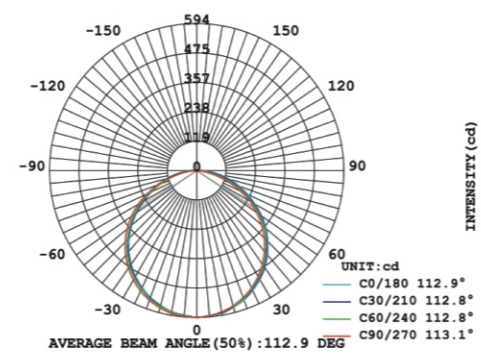
Material: Die casting Aluminum body,
and PC lens.

Product Specification

Product Code	YAUB-01-54
Input Wattage	60W
Color Temperature	3000-6500K
Luminous Flux	4800-5500 lm
Input Voltage	AC90-305V
Frequency Range	50/60Hz
Power Factor	PF≥0.95
Color rendering index	Ra≥70
Temperature of Working Condition	-40-50°C
Humidity of Working Condition	10%-90%RH
LED Lifetime	50000h
Protection Grade	IP65
Installation Pipe Diameter	Φ60mm
Installation Height	4-8m
Net Weight	7.63kgs
Gross Weight	8.73kgs
Packing Size(mm)	610×610×245



Photometric Data

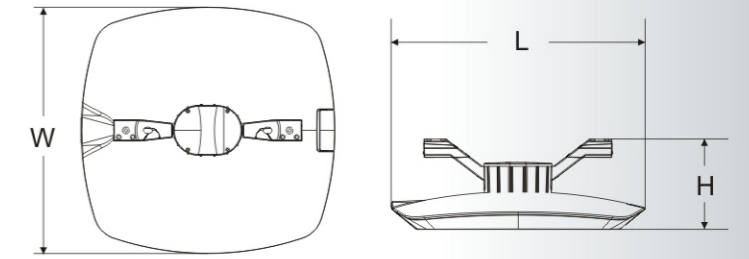


- Color:**
- Double Grey
 - Sandy Black
 - Matt Silver

LED Garden Light YASL-12B

Installing Ways:
Horizontal.

Material:
Die casting body,
Ultra clear tempered glass and PC lens.



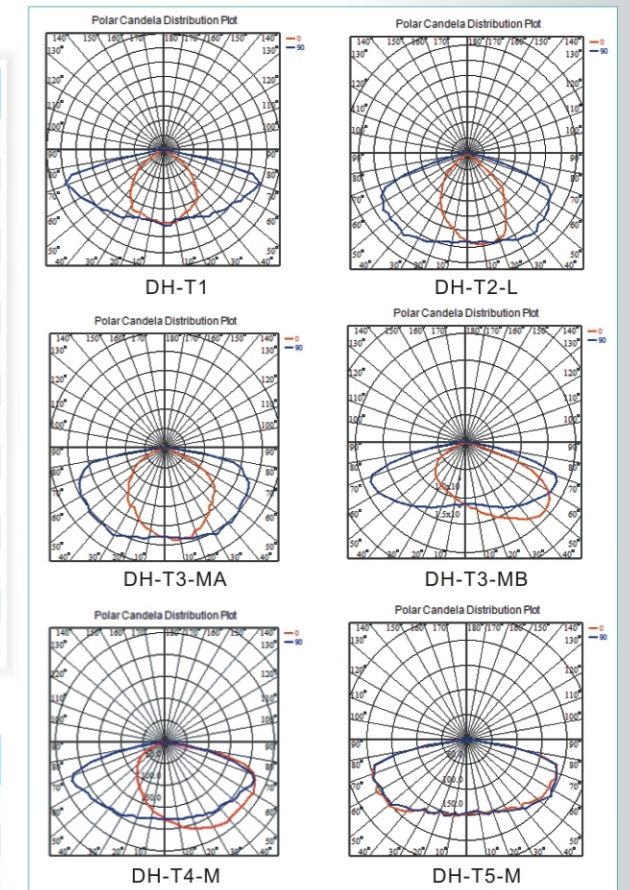
Product Specification

Product Code	YASL-12B-50	YASL-12B-120
Input Wattage	80W	150W
Color Temperature	3000-6500K	3000-6500K
Luminous Flux	8800-10000lm	17250-18750lm
Input Voltage	AC90-305V	AC90-305V
Frequency Range	50/60Hz	50/60Hz
Power Factor	PF≥0.95	PF≥0.95
Color rendering index	Ra≥70	Ra≥70
Temperature of Working Condition	-40-50°C	-40-50°C
Humidity of Working Condition	20%-90%RH	20%-90%RH
LED Lifetime	50000h	50000h
Protection Grade	IP66	IP66
Installation Height	4-8m	6-12m
Net Weight	9.0kgs	12.5kgs
Gross Weight	9.5kgs	13.8kgs
Packing Size	490×590×155	570×700×165

Product Size

Product Code	YASL-12B-50	YASL-12B-120
L (mm)	430	537
W (mm)	416	522
H (mm)	191	193

Photometric Data





LED High Bay YAHB-06

Installing Ways:
Horizontal only.

Material: Die casting Aluminum body,
Ultra clear tempered glass.



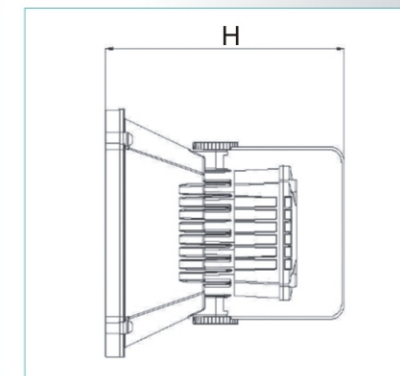
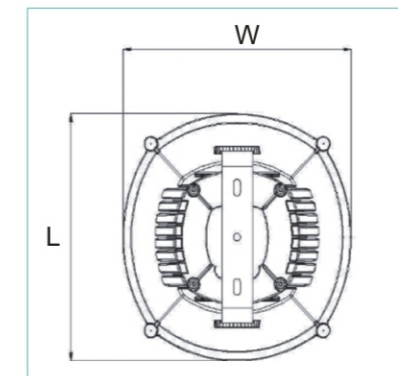
LED High Bay YAHB-06

Color:

Double Grey

Sandy Black

Matt Silver



Product Specification

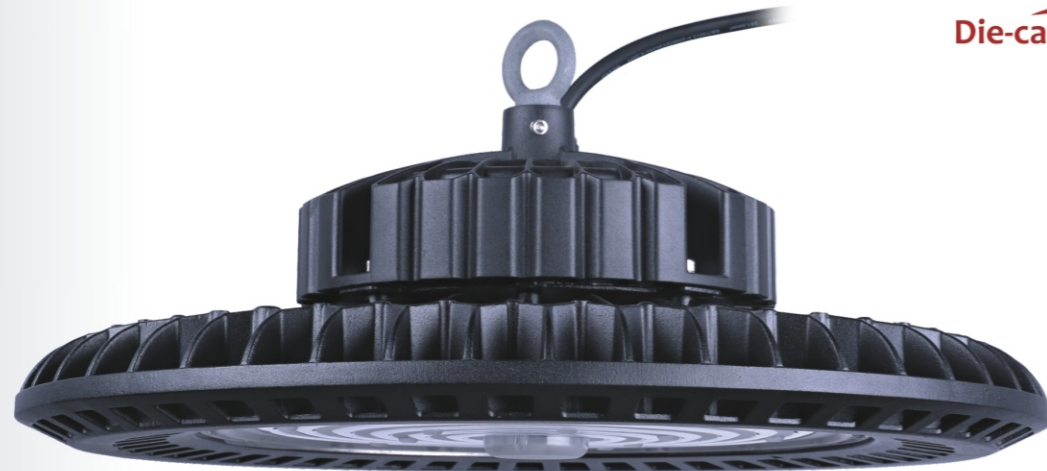
Product Code	YAHB-06-70	YAHB-06-100	YAHB-06-200
Electric current	2100mA	3000mA	6000mA
Input Wattage	70W	100W	200W
Color Temperature	3000-6500K	3000-6500K	3000-6500K
Luminous Flux	8400lm	12000lm	24000lm
Input Voltage	AC90-305V	AC90-305V	AC90-305V
Frequency Range	50/60Hz	50/60Hz	50/60Hz
Power Factor	PF≥0.95	PF≥0.95	PF≥0.95
Color rendering index	Ra≥70	Ra≥70	Ra≥70
Temperature of Working Condition	-40-50°C	-40-50°C	-40-50°C
Humidity of Working Condition	10%-90%RH	10%-90%RH	10%-90%RH
LED Lifetime	50000h	50000h	50000h
Protection Grade	IP65	IP65	IP65
Net Weight	5kgs	9kgs	15kgs
Gross Weight	5.8kgs	10kgs	16kgs
Packing Size(mm)	320×320×340	430×430×485	545×545×490

Photometric Data

YAHB-06-70 60W	YAHB-06-70 70W	YAHB-06-100 100-120W	YAHB-06 200W																																																																								
<table border="1"> <tr><th>高度</th><th>照射范围</th><th>中心照度</th></tr> <tr><td>5m</td><td>Φ7m</td><td>196LUX</td></tr> <tr><td>6m</td><td>Φ9m</td><td>138LUX</td></tr> <tr><td>7m</td><td>Φ10m</td><td>101LUX</td></tr> <tr><td>8m</td><td>Φ11m</td><td>78LUX</td></tr> <tr><td>9m</td><td>Φ13m</td><td>61LUX</td></tr> </table>	高度	照射范围	中心照度	5m	Φ7m	196LUX	6m	Φ9m	138LUX	7m	Φ10m	101LUX	8m	Φ11m	78LUX	9m	Φ13m	61LUX	<table border="1"> <tr><th>高度</th><th>照射范围</th><th>中心照度</th></tr> <tr><td>6m</td><td>Φ9m</td><td>161LUX</td></tr> <tr><td>7m</td><td>Φ10m</td><td>118LUX</td></tr> <tr><td>8m</td><td>Φ11m</td><td>90LUX</td></tr> <tr><td>9m</td><td>Φ13m</td><td>71LUX</td></tr> <tr><td>10m</td><td>Φ14m</td><td>58LUX</td></tr> </table>	高度	照射范围	中心照度	6m	Φ9m	161LUX	7m	Φ10m	118LUX	8m	Φ11m	90LUX	9m	Φ13m	71LUX	10m	Φ14m	58LUX	<table border="1"> <tr><th>高度</th><th>照射范围</th><th>中心照度</th></tr> <tr><td>9m</td><td>Φ15m</td><td>118LUX</td></tr> <tr><td>10m</td><td>Φ17m</td><td>95LUX</td></tr> <tr><td>11m</td><td>Φ18m</td><td>78LUX</td></tr> <tr><td>12m</td><td>Φ20m</td><td>66LUX</td></tr> <tr><td>13m</td><td>Φ22m</td><td>56LUX</td></tr> </table>	高度	照射范围	中心照度	9m	Φ15m	118LUX	10m	Φ17m	95LUX	11m	Φ18m	78LUX	12m	Φ20m	66LUX	13m	Φ22m	56LUX	<table border="1"> <tr><th>高度</th><th>照射范围</th><th>中心照度</th></tr> <tr><td>11m</td><td>Φ18m</td><td>131LUX</td></tr> <tr><td>12m</td><td>Φ20m</td><td>110LUX</td></tr> <tr><td>13m</td><td>Φ22m</td><td>93LUX</td></tr> <tr><td>14m</td><td>Φ24m</td><td>81LUX</td></tr> <tr><td>15m</td><td>Φ25m</td><td>70LUX</td></tr> </table>	高度	照射范围	中心照度	11m	Φ18m	131LUX	12m	Φ20m	110LUX	13m	Φ22m	93LUX	14m	Φ24m	81LUX	15m	Φ25m	70LUX
高度	照射范围	中心照度																																																																									
5m	Φ7m	196LUX																																																																									
6m	Φ9m	138LUX																																																																									
7m	Φ10m	101LUX																																																																									
8m	Φ11m	78LUX																																																																									
9m	Φ13m	61LUX																																																																									
高度	照射范围	中心照度																																																																									
6m	Φ9m	161LUX																																																																									
7m	Φ10m	118LUX																																																																									
8m	Φ11m	90LUX																																																																									
9m	Φ13m	71LUX																																																																									
10m	Φ14m	58LUX																																																																									
高度	照射范围	中心照度																																																																									
9m	Φ15m	118LUX																																																																									
10m	Φ17m	95LUX																																																																									
11m	Φ18m	78LUX																																																																									
12m	Φ20m	66LUX																																																																									
13m	Φ22m	56LUX																																																																									
高度	照射范围	中心照度																																																																									
11m	Φ18m	131LUX																																																																									
12m	Φ20m	110LUX																																																																									
13m	Φ22m	93LUX																																																																									
14m	Φ24m	81LUX																																																																									
15m	Φ25m	70LUX																																																																									

Product Size

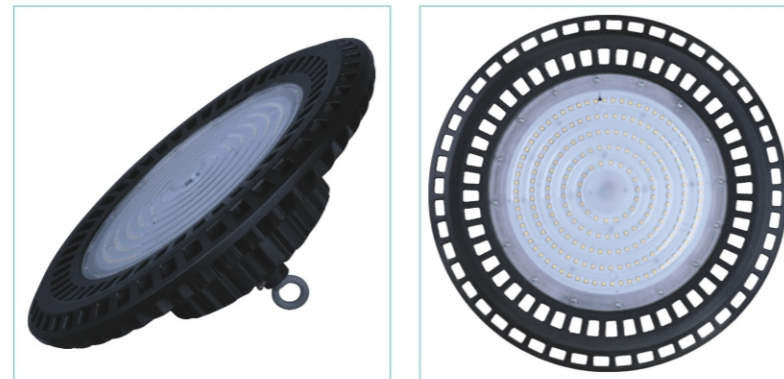
Product Code	YAHB-06-70	YAHB-06-100	YAHB-06-200
L (mm)	298	395	500
W (mm)	298	395	500
H (mm)	314	421	476



LED High Bay YAHB-05

Nice-looking UFO , very popular in the market , 3 types of beam angle for option.

Material:
Die casting body + PC lens



Product Specification

Product Code	YAHB-05-100	YAHB-05-150	YAHB-05-200
Input Wattage	100W	150W	200W
Color Temperature	3000-6500K	3000-6500K	3000-6500K
Light Angle	60°/90°/120°	60°/90°/120°	60°/90°/120°
Luminous Flux	12000-14000 lm	18000-19600 lm	24000-28000 lm
Input Voltage	AC90-305V	AC90-305V	AC90-305V
Frequency Range	50/60Hz	50/60Hz	50/60Hz
Power Factor	PF≥0.95	PF≥0.95	PF≥0.95
Color rendering index	Ra70-80	Ra70-80	Ra70-80
Temperature of Working Condition	-40-50°C	-40-50°C	-40-50°C
Humidity of Working Condition	10%-90%RH	10%-90%RH	10%-90%RH
LED Lifetime	50000h	50000h	50000h
Protection Grade	IP66	IP66	IP66
Net Weight	3.5kgs	4.8kgs	6.5kgs
Gross Weight	4.5kgs	5.8kgs	7.5kgs
Packing Size(mm)	295×295×165	355×355×165	415×415×175



LED High Bay YAHB-05

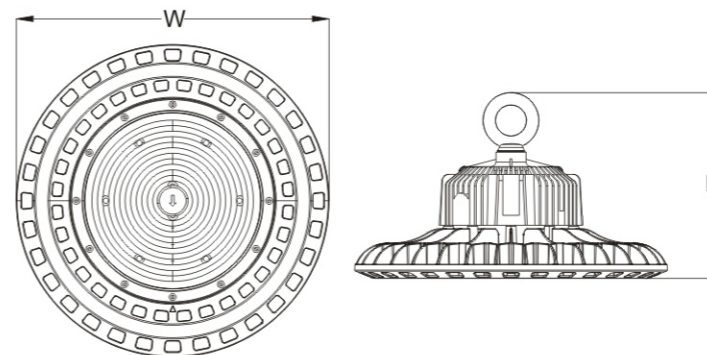
Product Description

This series is a high-performance High Bay available in three sizes. The luminaire is manufactured from high pressure die-casting aluminum. It shall have a led efficiency up to 120 lm/w and will be capable of producing up to 24000 luminaire lumens at 4000K finished in Grey or black as standard.

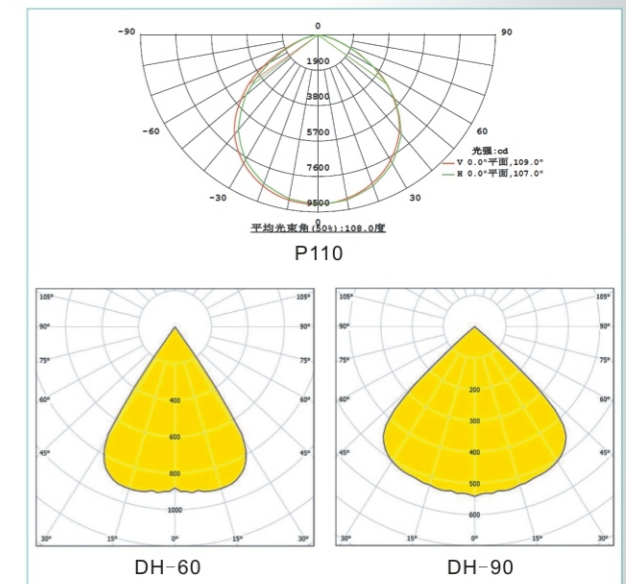
IP66 CE ROHS

Color:

Double Grey 
Sandy Black 
Matt Silver 



Photometric Data

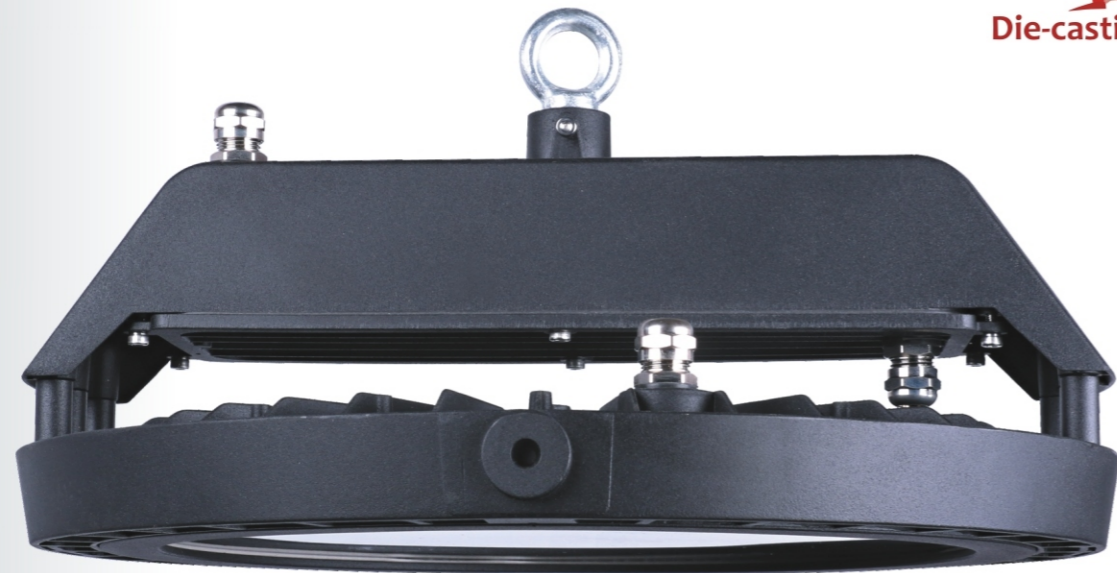


Product Size

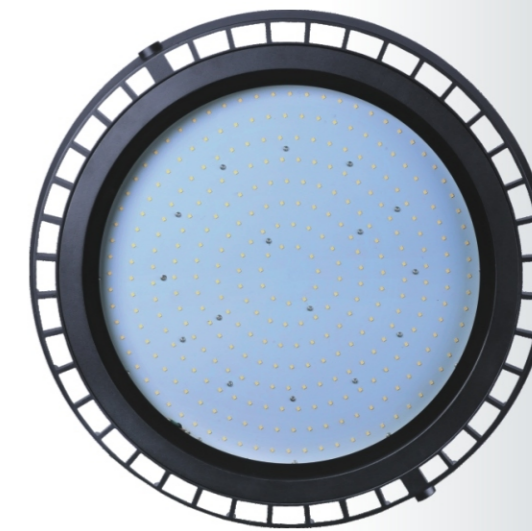
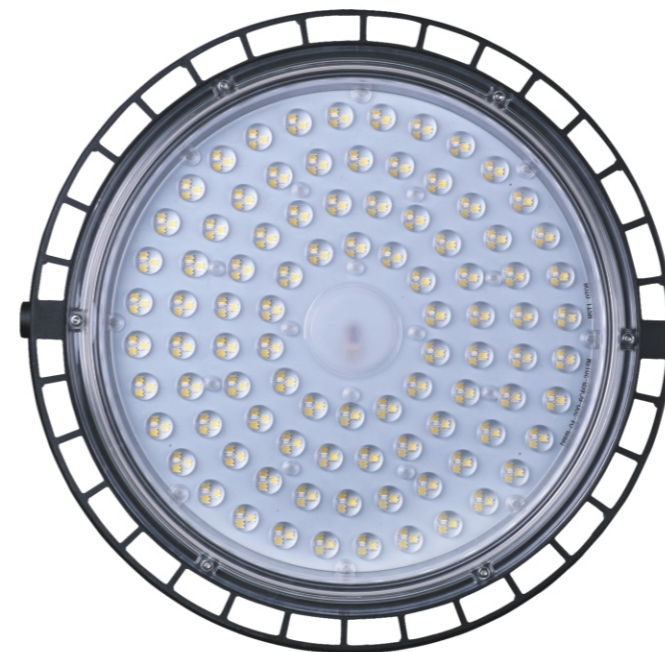
Product Code	YAHB-05-100	YAHB-05-150	YAHB-05-200
W (mm)	Φ282	Φ342	Φ403
H (mm)	115	119	128



Die-casting Man



Die-casting Man



LED High Bay YAHB-04

Material:
Die casting body.
Gear box available on requires.
Both glass and PC lens available.



Product Specification

Product Code	YAHB-04-100	YAHB-04-150	YAHB-04-200	YAHB-04-250	YAHB-04-300
Input Wattage	100W	150W	200W	250W	300W
Color Temperature	3000-6500K	3000-6500K	3000-6500K	3000-6500K	3000-6500K
Light Angle	60°/90°/120°	60°/90°/120°	60°/90°/120°	60°/90°/120°	120°
Luminous Flux	12000-14000 lm	18000-19600 lm	24000-28000 lm	24000-28000 lm	33000-36000 lm
Input Voltage	AC90-305V	AC90-305V	AC90-305V	AC90-305V	AC90-305V
Frequency Range	50/60Hz	50/60Hz	50/60Hz	50/60Hz	50/60Hz
Power Factor	PF≥0.95	PF≥0.95	PF≥0.95	PF≥0.95	PF≥0.95
Color rendering index	Ra70-80	Ra70-80	Ra70-80	Ra70-80	Ra70-80
Temperature of Working Condition	-40-50°C	-40-50°C	-40-50°C	-40-50°C	-40-50°C
Humidity of Working Condition	10%-90%RH	10%-90%RH	10%-90%RH	10%-90%RH	10%-90%RH
LED Lifetime	50000h	50000h	50000h	50000h	50000h
Protection Grade	IP66	IP66	IP66	IP66	IP66
Net Weight	3.2kgs	3.3kgs	3.9kgs	4.2kgs	5.9kgs
Gross Weight	3.8kgs	4.0kgs	4.8kgs	5.0kgs	6.7kgs
Packing Size(mm)	380×380×185	388×388×198	430×430×185	430×430×185	525×525×210

LED High Bay YAHB-04

Product Description

This series is a high-performance High Bay available in five sizes. The luminaire is manufactured from high pressure die-casting aluminum. It shall have a led efficiency up to 120 lm/w and will be capable of producing up to 36000 luminaire lumens at 4000K finished in Grey or black as standard.

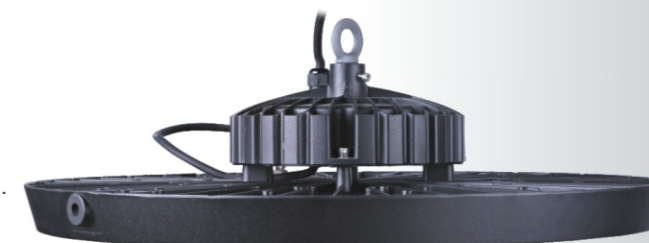
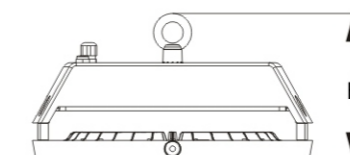
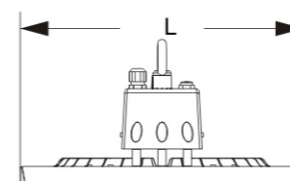
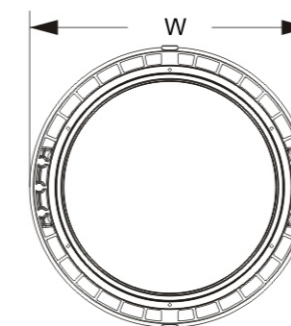
IP66 CE ROHS

Color:

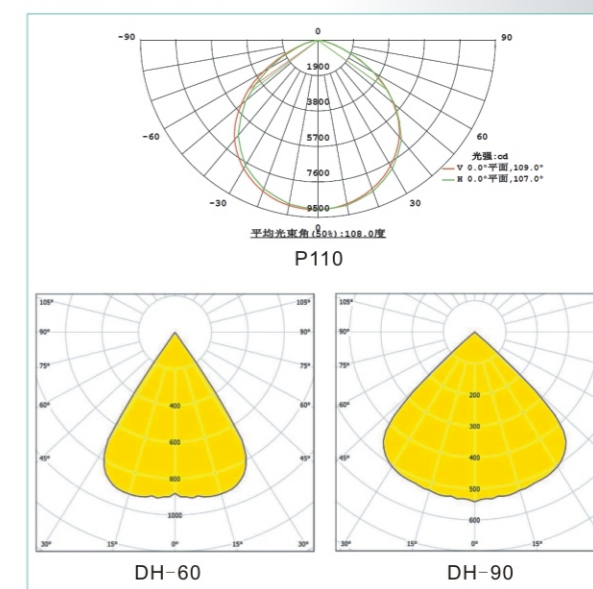
Double Grey

Sandy Black

Matt Silver



Photometric Data



Product Size

Product Code	YAHB-04-100	YAHB-04-150	YAHB-04-200	YAHB-04-250	YAHB-04-300
L (mm)	368	368	423	423	514
W (mm)	Φ366	Φ366	Φ418	Φ418	Φ511
H (mm)	187	187	187	187	208

**Color:**

Double Grey

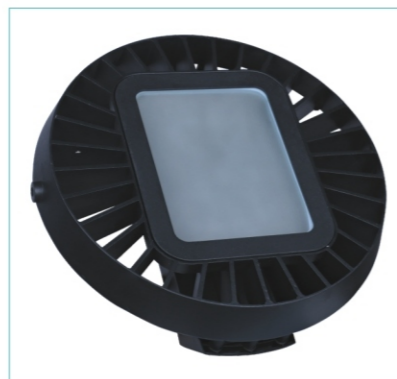
Sandy Black

Matt Silver

**LED High Bay YAHB-02**

Nice-looking UFO , very popular in the market , 3 types of beam angle for option.

Material:
Die casting body + PC lens

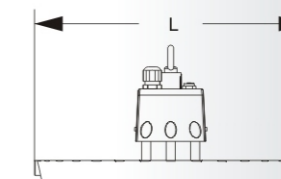
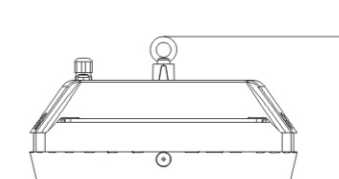
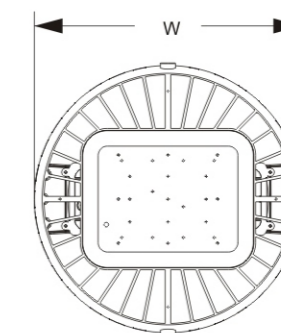
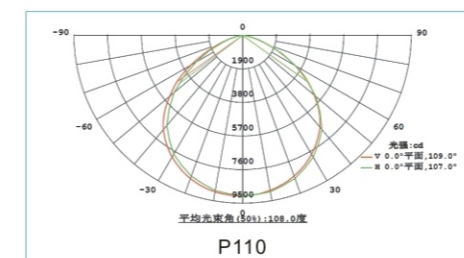
**LED High Bay YAHB-02****Product Description**

This series is a high-performance High Bay available in two sizes. The luminaire is manufactured from high pressure die-casting aluminum. It shall have a led efficiency up to 120 lm/w and will be capable of producing up to 24000 luminaire lumens at 4000K finished in Grey or black as standard.

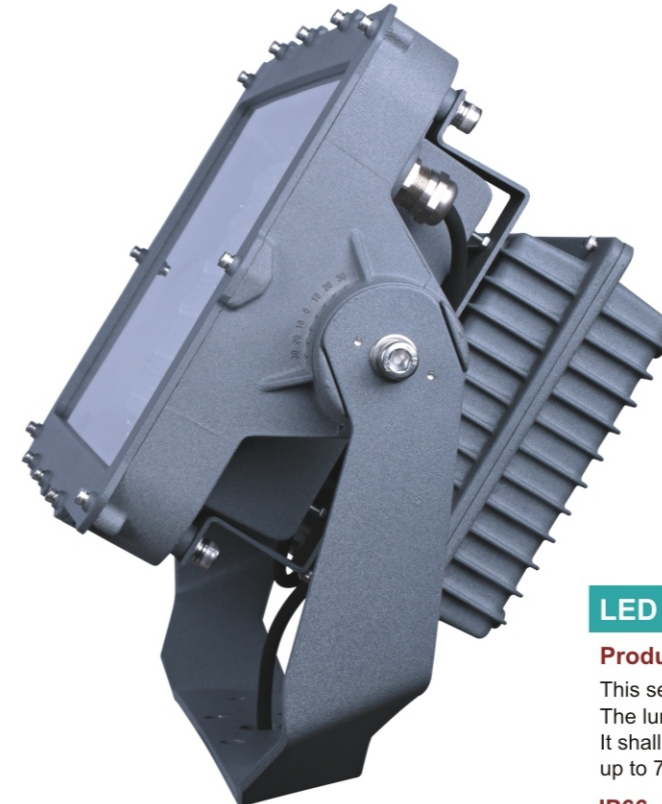
IP66 CE ROHS

Product Specification

Product Code	YAHB-02-80	YAHB-02-200
Input Wattage	80W	200W
Color Temperature	3000-6500K	3000-6500K
Luminous Flux	8400-9600 lm	21000-24000 lm
Input Voltage	AC90-305V	AC90-305V
Frequency Range	50/60Hz	50/60Hz
Power Factor	PF≥0.95	PF≥0.95
Color rendering index	Ra≥70	Ra≥70
Temperature of Working Condition	-40-50°C	-40-50°C
Humidity of Working Condition	20%-90%RH	20%-90%RH
LED Lifetime	50000h	50000h
Protection Grade	IP66	IP66
Net Weight	8.2kgs	7.4kgs
Gross Weight	10.1kgs	8.6kgs
Packing Size(mm)	410×410×200	470×470×200

Photometric Data**Product Size**

Product Code	YAHB-02-80	YAHB-02-200
L (mm)	371	464
W (mm)	Φ364	Φ457
H (mm)	202	223



- Color:**
- Double Grey
 - Sandy Black
 - Matt Silver

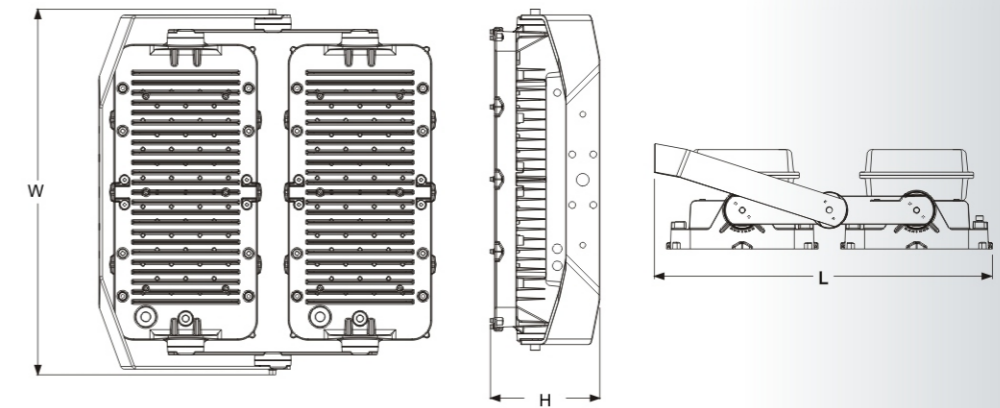
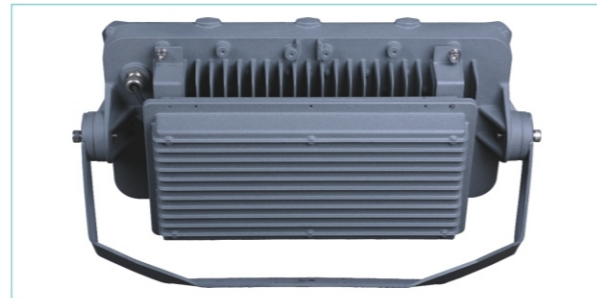
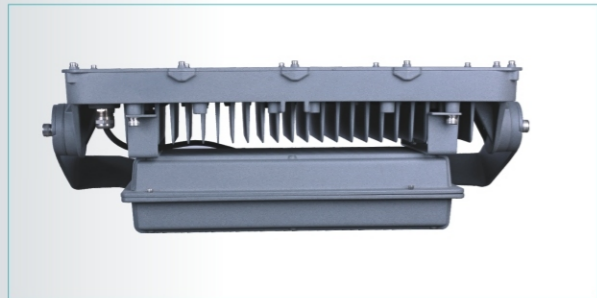
LED High Mast YAHP-01

Material:
Die casting body.
Gear box available .
Tempered glass cover and PC lens.

LED High Mast YAHP-01

Product Description
This series is a high-performance High Mast in three sizes. The luminaire is manufactured from high pressure die-casting aluminum. It shall have a led efficiency up to 120 lm/w and will be capable of producing up to 75000 luminaire lumens at 4000K finished in Grey or black as standard.

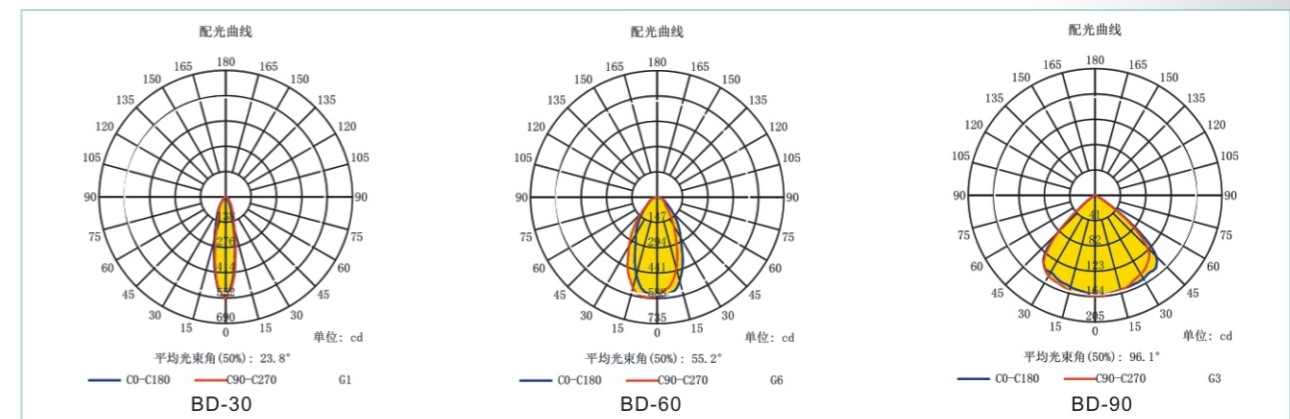
IP66 CE ROHS



Product Specification

Product Code	YAHP-01-200	YAHP-01-400	YAHP-01-600
Input Wattage	200W	400W	600W
Color Temperature	3000-6500K	3000-6500K	3000-6500K
Light Angle	30°/60°/90°	30°/60°/90°	30°/60°/90°
Luminous Flux	69000-75000lm	69000-75000lm	69000-75000lm
Input Voltage	AC90-305V	AC90-305V	AC90-305V
Frequency Range	50/60Hz	50/60Hz	50/60Hz
Power Factor	PF≥0.95	PF≥0.95	PF≥0.95
Color rendering index	Ra≥70	Ra≥70	Ra≥70
Temperature of Working Condition	-40-50°C	-40-50°C	-40-50°C
Humidity of Working Condition	20%-90%RH	20%-90%RH	20%-90%RH
LED Lifetime	50000h	50000h	50000h
Protection Grade	IP66	IP66	IP66
Installation Height	10-15m	15-20m	20-25m
Net Weight	12.5kg	24.0kg	36.0kg
Gross Weight	13.0kg	24.8kg	37.0kg
Packing Size(mm)	350×600×240	620×660×240	950×660×240

Photometric Data

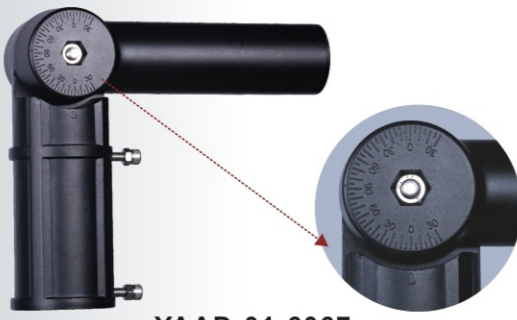
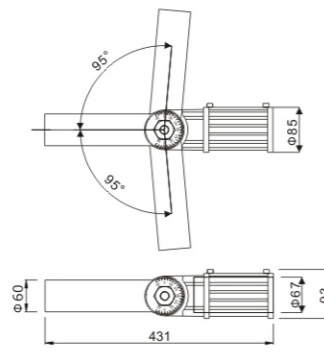
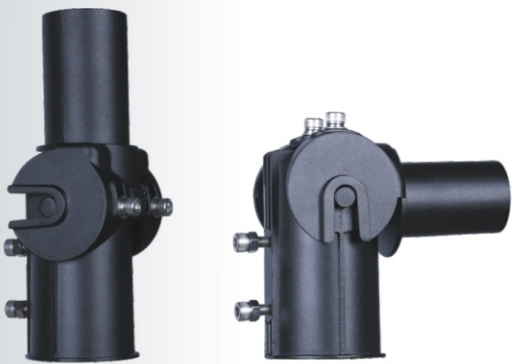
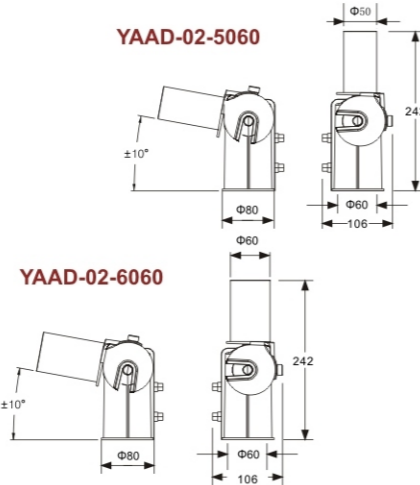

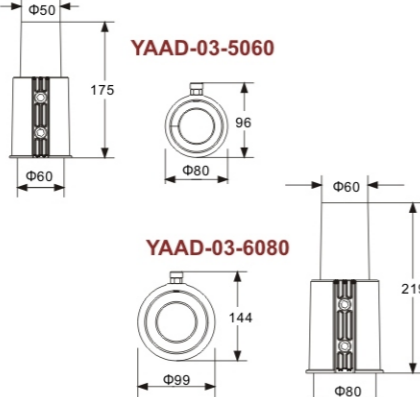
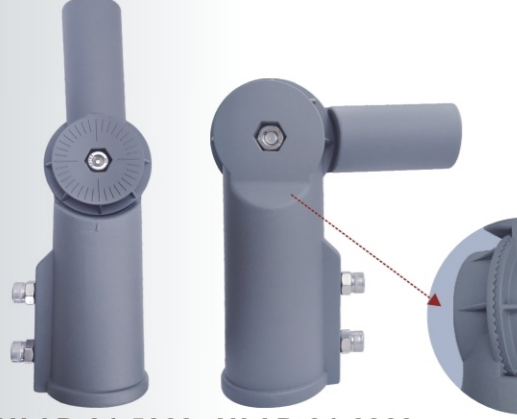
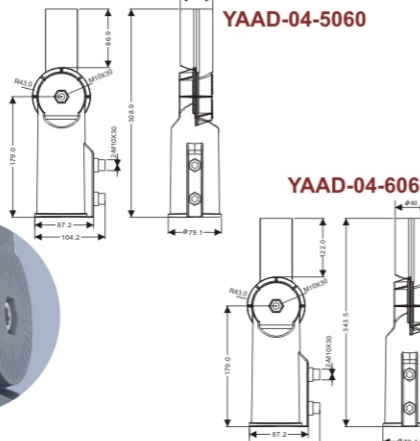


Product Size

Product Code	YAHP-01-200	YAHP-01-400	YAHP-01-600
L (mm)	333	593	903
W (mm)	600	642	635
H (mm)	200	200	200



Street Light Adapter

 <p>YAAD-01-6067</p>		<p>Description Housing material: Die Casting Aluminium 60mm(Lamp size)- 67mm(Pole size) Size:431×93×Ø85mm</p>
 <p>YAAD-02-5060 YAAD-02-6060</p>		<p>Description YAAD-02-5060 Housing material: Die Casting Aluminium 50mm(Lamp size)- 60mm(Pole size) Size:242×106×Ø80mm</p> <p>YAAD-02-6060 Housing material: Die Casting Aluminium 60mm(Lamp size)- 60mm(Pole size) Size:242×106×Ø80mm</p>
 <p>YAAD-03-5060 YAAD-03-6080</p>		<p>Description YAAD-03-5060 Housing material: Die Casting Aluminium 50mm(Lamp size)- 60mm(Pole size) Size:175×96×Ø80mm</p> <p>YAAD-03-6080 Housing material: Die Casting Aluminium 60mm(Lamp size)- 80mm(Pole size) Size:219×114×Ø99mm</p>
 <p>YAAD-04-5060 YAAD-04-6060</p>		<p>Description YAAD-04-5060 Housing material: Die Casting Aluminium 50mm(Lamp size)- 60mm(Pole size) Size:309×104×Ø79mm</p> <p>YAAD-04-6060 Housing material: Die Casting Aluminium 60mm(Lamp size)- 60mm(Pole size) Size:344×104×Ø79mm</p>